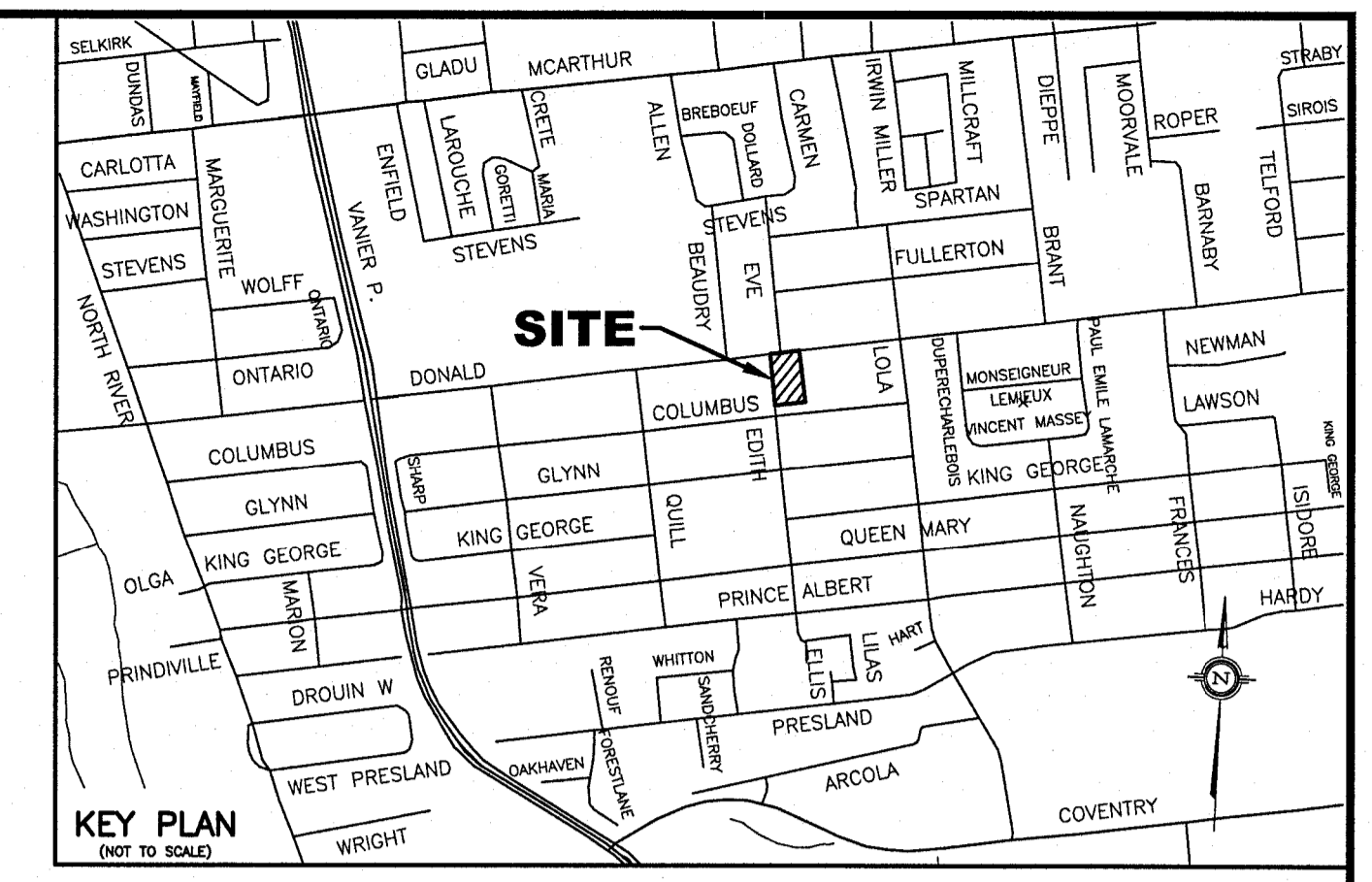


DONALD STREET

(Formerly Somerset Street)
PIN 04247 - 0250



LEGEND

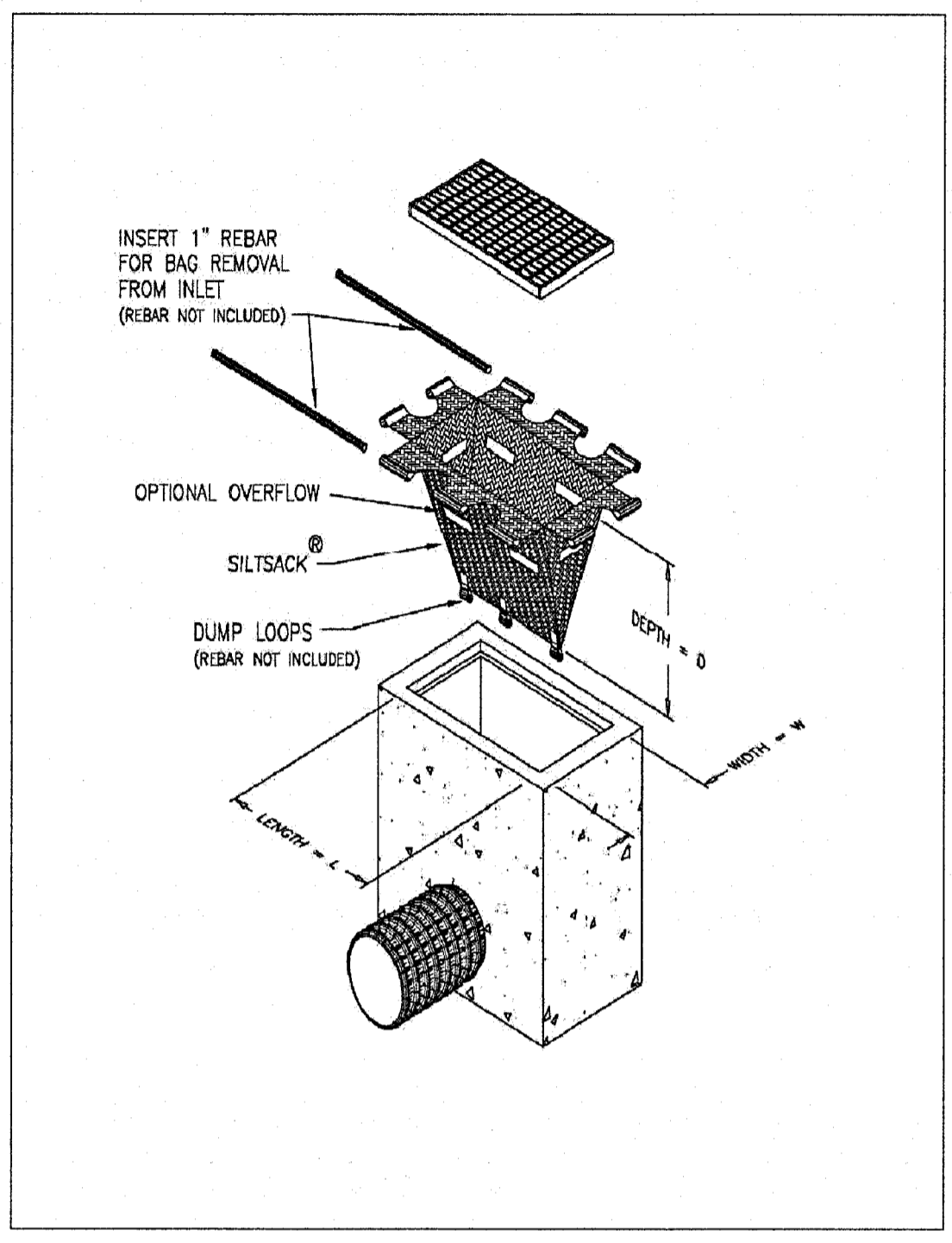
■■■■ SILT FENCE BARRIER LOCATION

EROSION AND SEDIMENT CONTROL NOTES

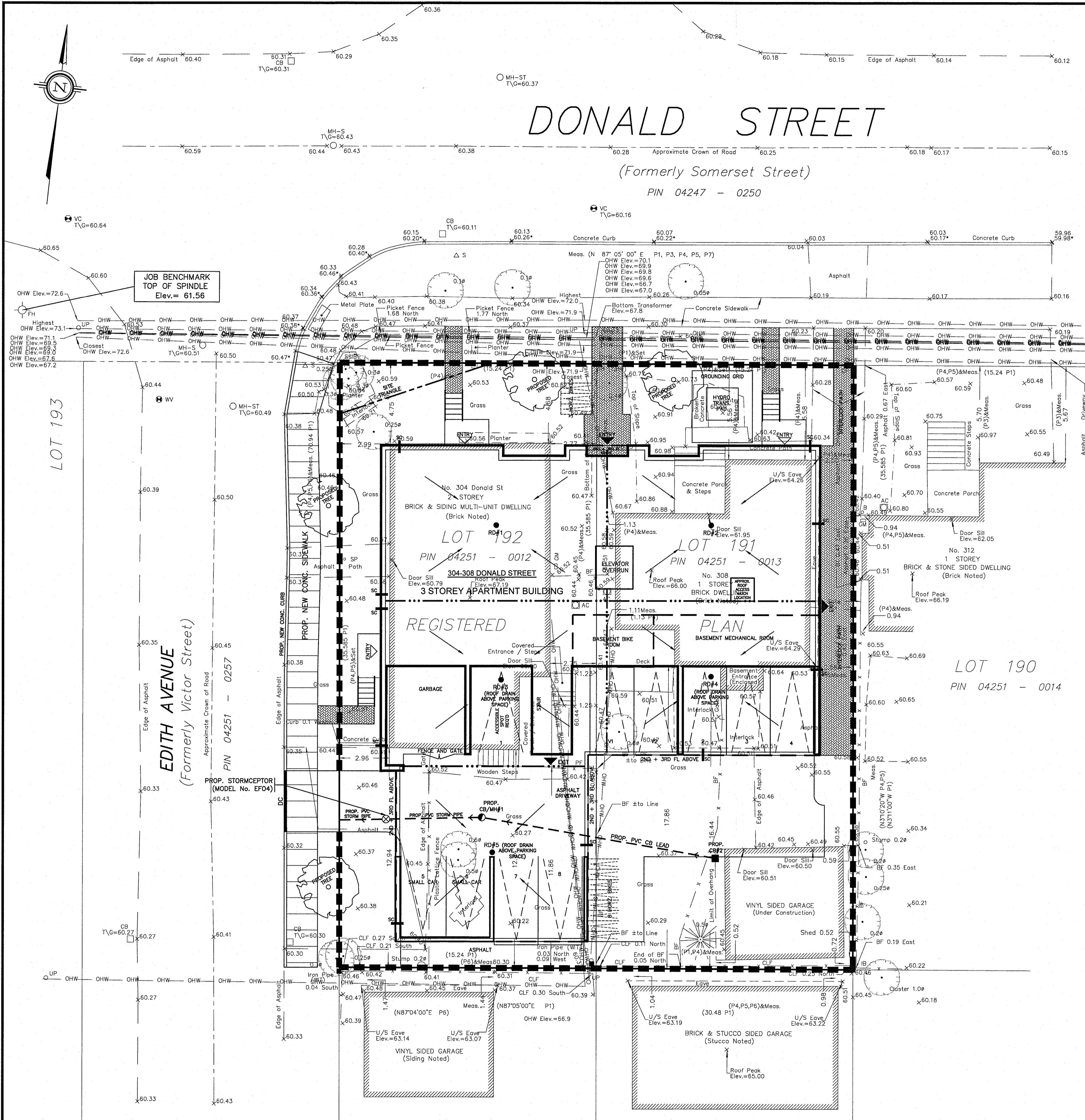
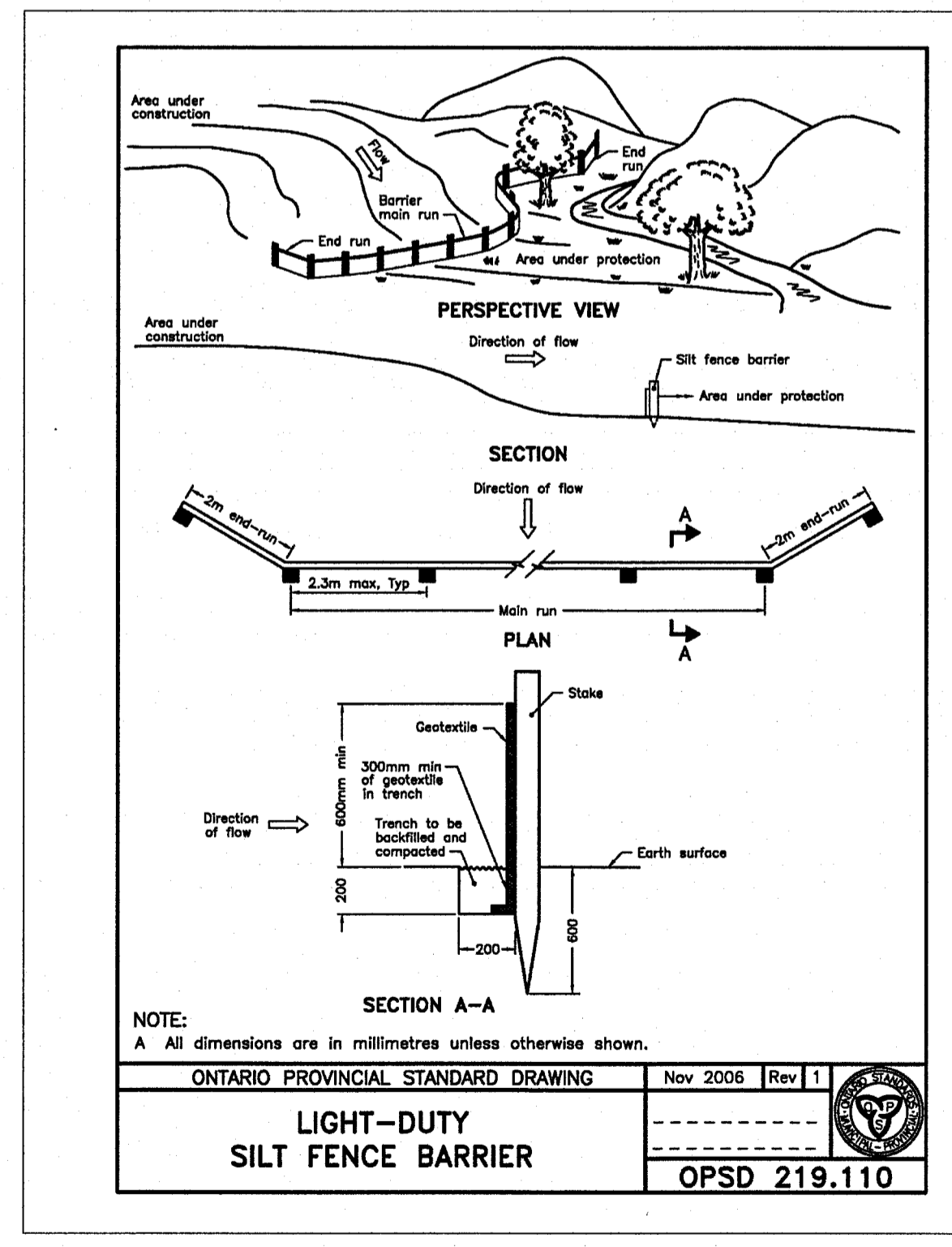
BEST MANAGEMENT PRACTICES

EROSION AND SEDIMENT CONTROLS (BEST MANAGEMENT PRACTICES) SHALL BE PROVIDED DURING CONSTRUCTION OF THIS PROJECT. EROSION MUST BE MINIMIZED AND SEDIMENTS MUST BE REMOVED FROM CONSTRUCTION SITE RUNOFF IN ORDER TO PROTECT DOWNSTREAM AREAS. DURING ALL CONSTRUCTION, EROSION AND SEDIMENTATION SHOULD BE CONTROLLED BY THE FOLLOWING TECHNIQUES:

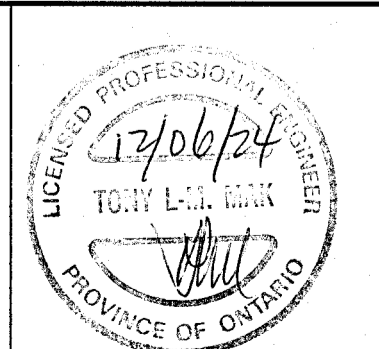
1. MINIMIZE THE EXTENT OF EXPOSED SOILS.
2. MINIMIZE THE AREA TO BE CLEARED AND GRUBBED.
3. PROTECT EXPOSED SLOPES WITH PLASTIC OR SYNTHETIC MULCHES.
4. INSTALL "SILT-SACK" CATCH BASIN SEDIMENT CONTROL DEVICE OR EQUAL IN CATCH BASINS ALONG DONALD STREET AND EDITH AVENUE ON-SITE AND OFF-SITE WITHIN THE ROAD RIGHT OF WAY ADJACENT TO THIS PROPERTY AS RECOMMENDED BY THE MANUFACTURER. SILT-SACK SHALL BE INSPECTED EVERY 2 TO 3 WEEKS AND AFTER EVERY MAJOR STORM.
5. INSTALL SILT FENCES AROUND THE PERIMETER OF STOCKPILES OF TOPSOIL TO BE USED OR REMOVED FROM SITE. (LOCATION TO BE DETERMINED).
6. SEDIMENT CONTROL DEVICES SHALL BE INSPECTED EVERY 2 TO 3 WEEKS AND AFTER MAJOR STORMS AND CLEANED OF ANY ACCUMULATED SILT AS REQUIRED. THE DEPOSITS WILL BE DISPOSED OF AS PER THE REQUIREMENTS OF THE CONTRACT.
7. IN SOME CASES SOME FILTER BARRIERS MAY BE REMOVED TEMPORARILY TO ACCOMMODATE CONSTRUCTION OPERATIONS. THE AFFECTED BARRIERS WILL BE REINSTATED AT NIGHT WHEN CONSTRUCTION IS COMPLETED. REMOVAL SHALL NOT OCCUR IF RUNOFF OR RAINFALL IS PREDICTED UNLESS A NEW DEVICE HAS BEEN INSTALLED TO PROTECT THE EXISTING STORM AND SANITARY SEWER SYSTEMS.
8. NO REFUELING OR CLEANING OF EQUIPMENT IS PERMITTED NEAR ANY EXISTING WATERWAYS.
9. DURING THE CONSTRUCTION PERIOD, THE CONTRACTOR SHALL INSPECT, MAINTAIN AND REMOVE THE CONTROL MEASURES.
10. THIS PROPOSED EROSION AND SEDIMENT CONTROL PLAN IS CONSIDERED BY (RVCA) A LIVING DOCUMENT WHICH MAY BE MODIFIED IN THE EVENT THE CONTROL MEASURES ARE INSUFFICIENT.
11. CONTRACTOR IS RESPONSIBLE TO KEEP THE ROADS FREE AND CLEAN FROM MUD AND DEBRIS DURING THE CONSTRUCTION PERIOD.



TYPICAL CATCH BASIN CONTROL DEVICE
N.T.S.



No.	REVISION	DATE	BY
1	REVISION AS PER CITY REVIEW COMMENTS OF NOV. 6, 2024 AND ARCHITECT'S REVISED SITE PLAN PROVIDED ON NOV. 28, 2024 AND DEC. 4, 2024	12/06/24	TLM



SCALE	DESIGN	T.L.M.	PROJECT
0 1.25m 3.75m 6.25m 1:125 HORIZONTAL	CHECKED	T.L.M.	304-308 DONALD STREET LOTS 191 AND 192 REGISTERED PLAN 441 CITY OF OTTAWA
	DRAWN BY	P.M.	
	CHECKED	T.L.M.	DRAWING TITLE PROPOSED EROSION AND SEDIMENT CONTROL PLAN
	APPROVED	T.L.M.	

PROJECT No.	DATE	DRAWING No.
824-63	APRIL 2024	ESC-1

T.L. MAK ENGINEERING CONSULTANTS LTD.
CONSULTING ENGINEERS