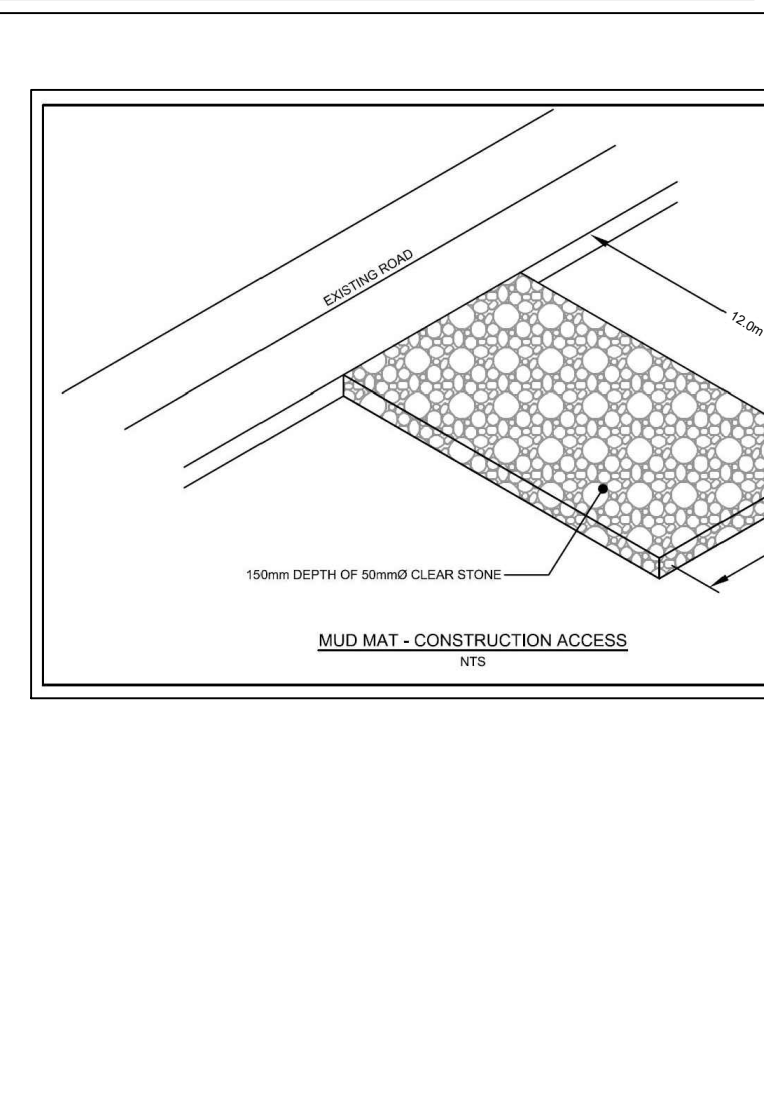
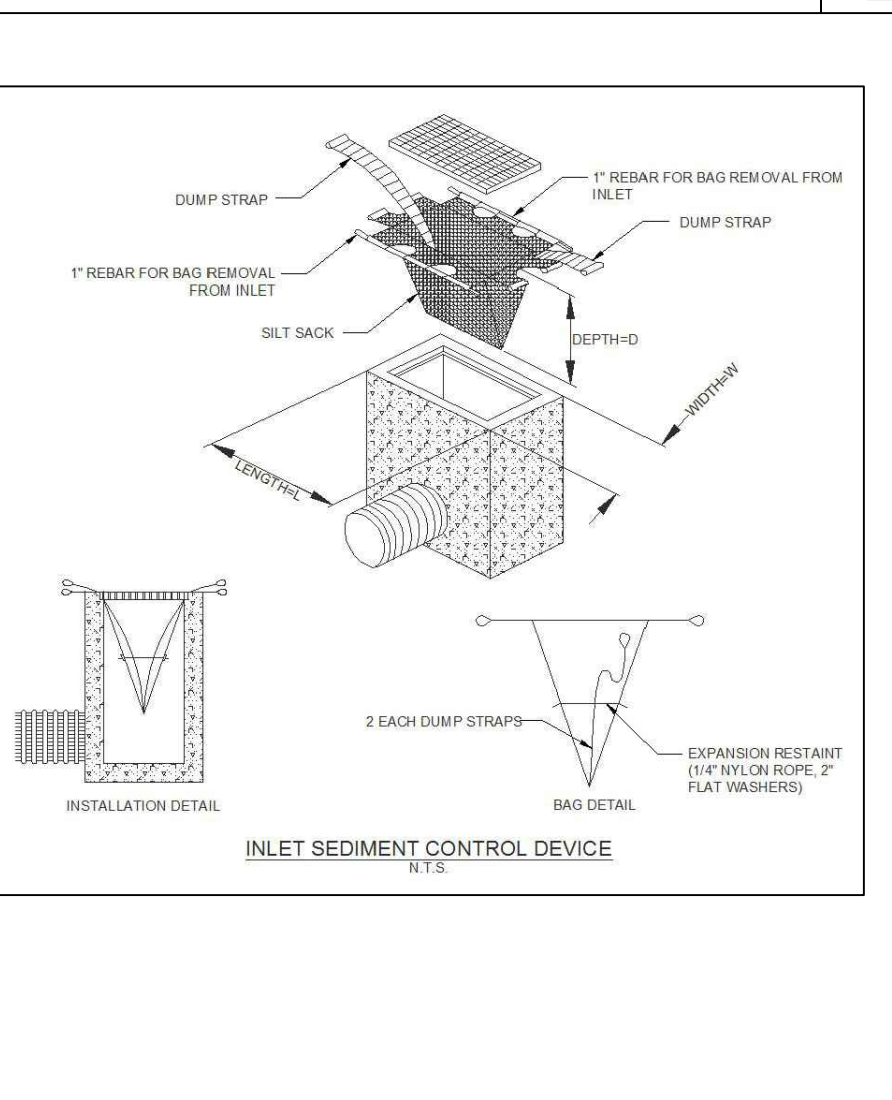
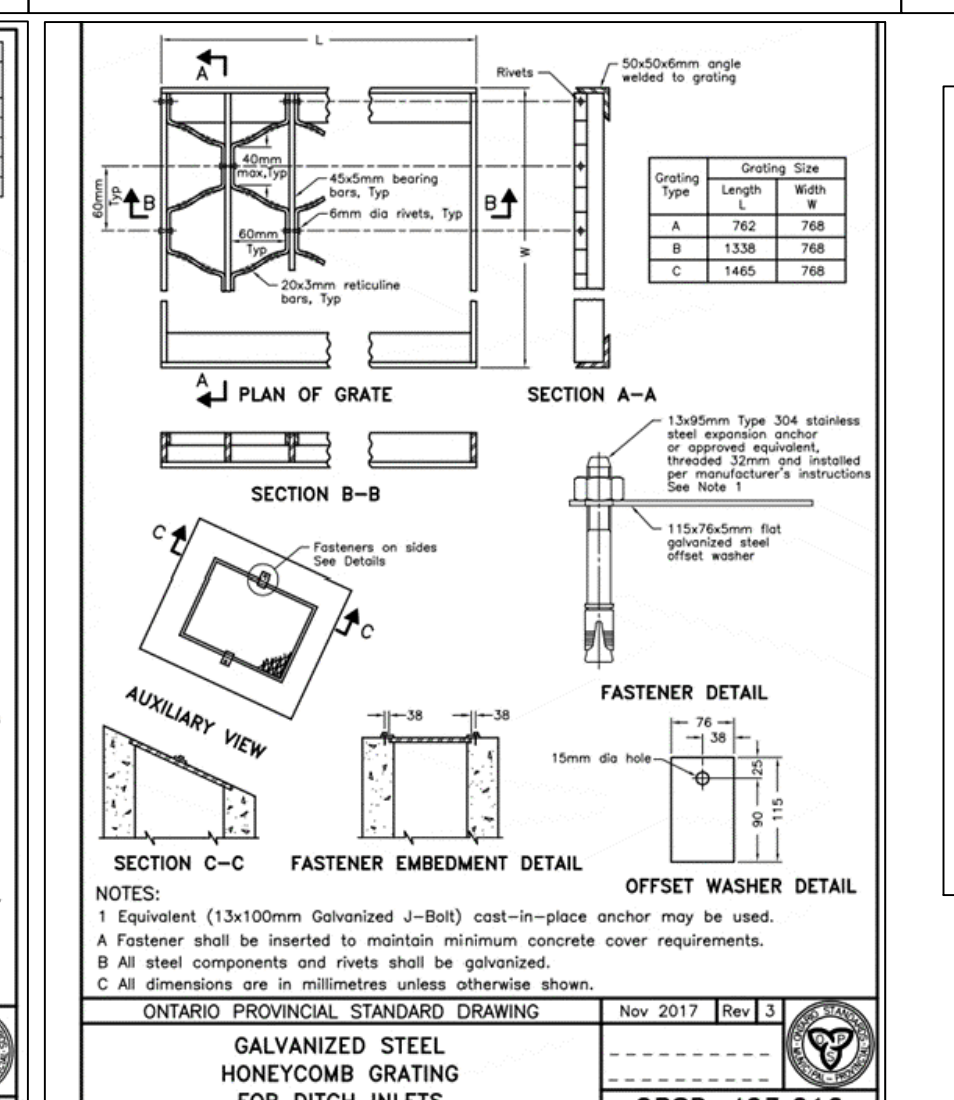
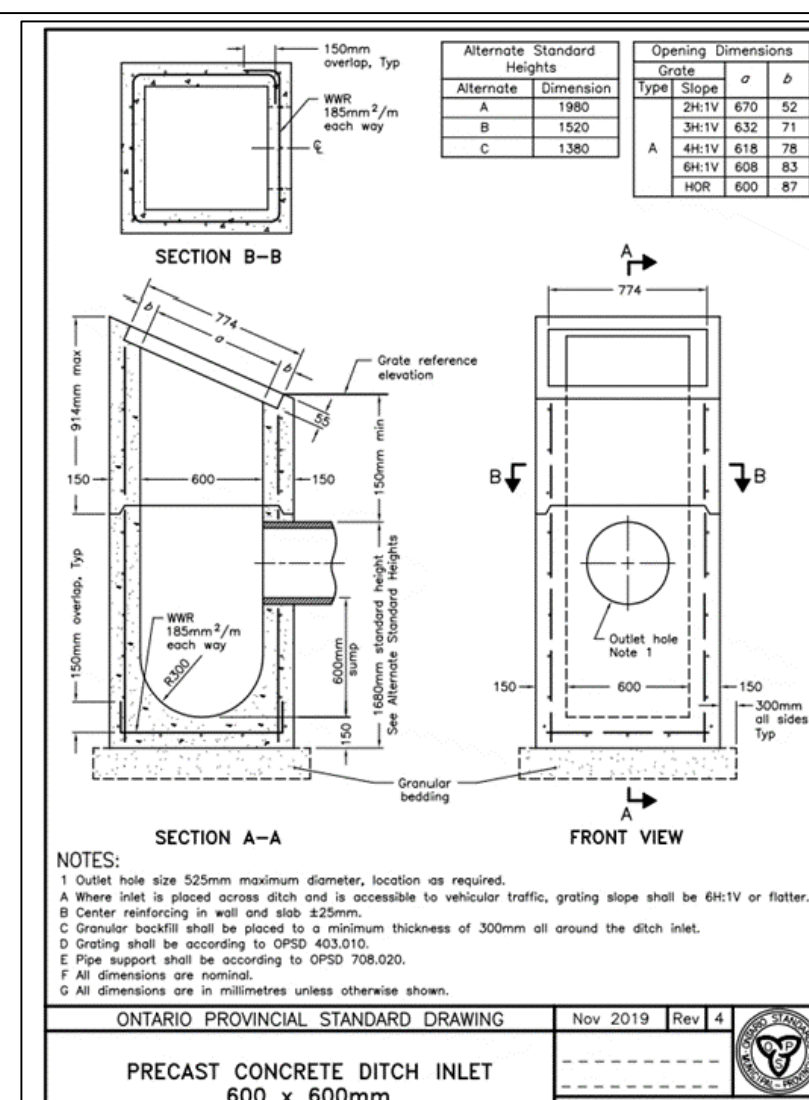
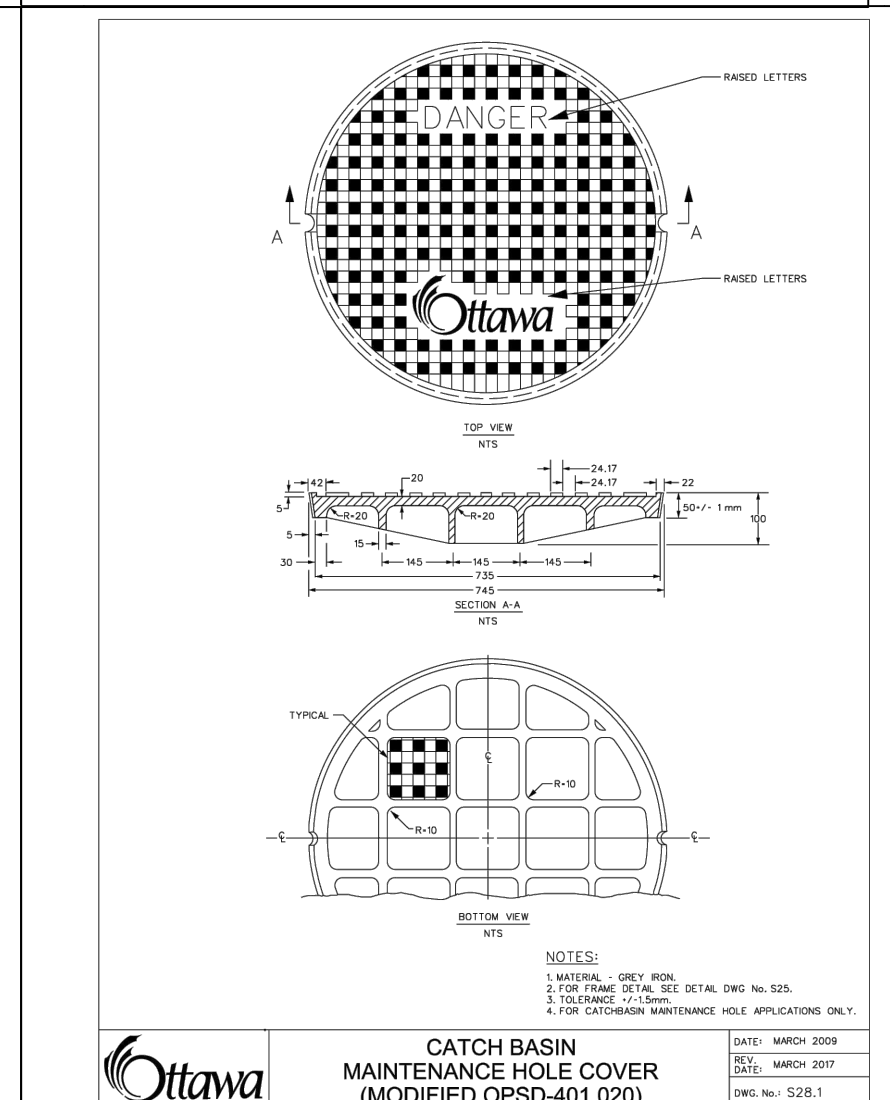
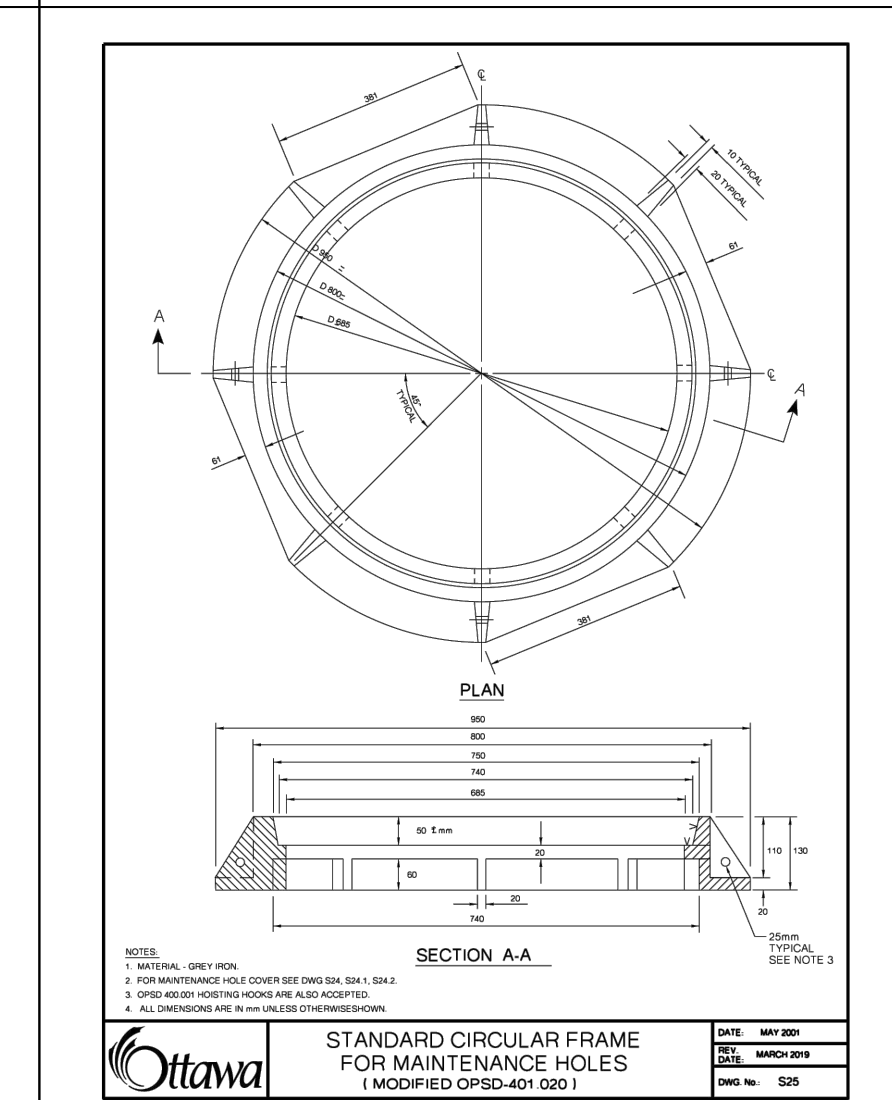
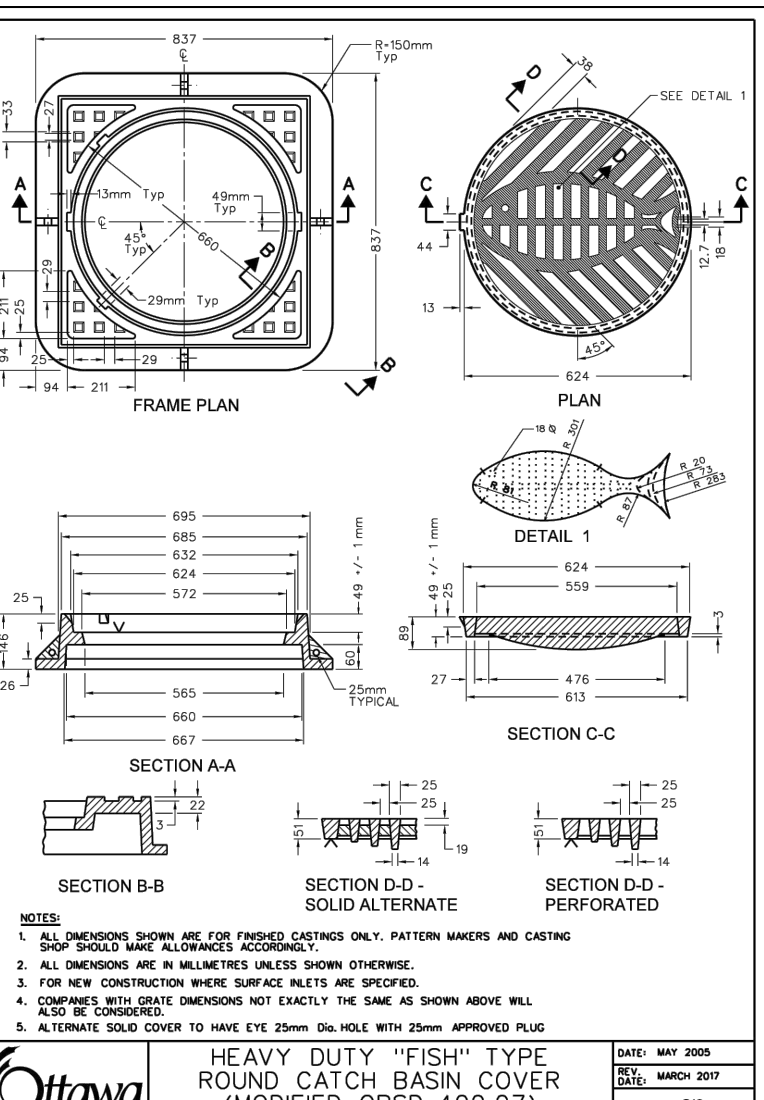
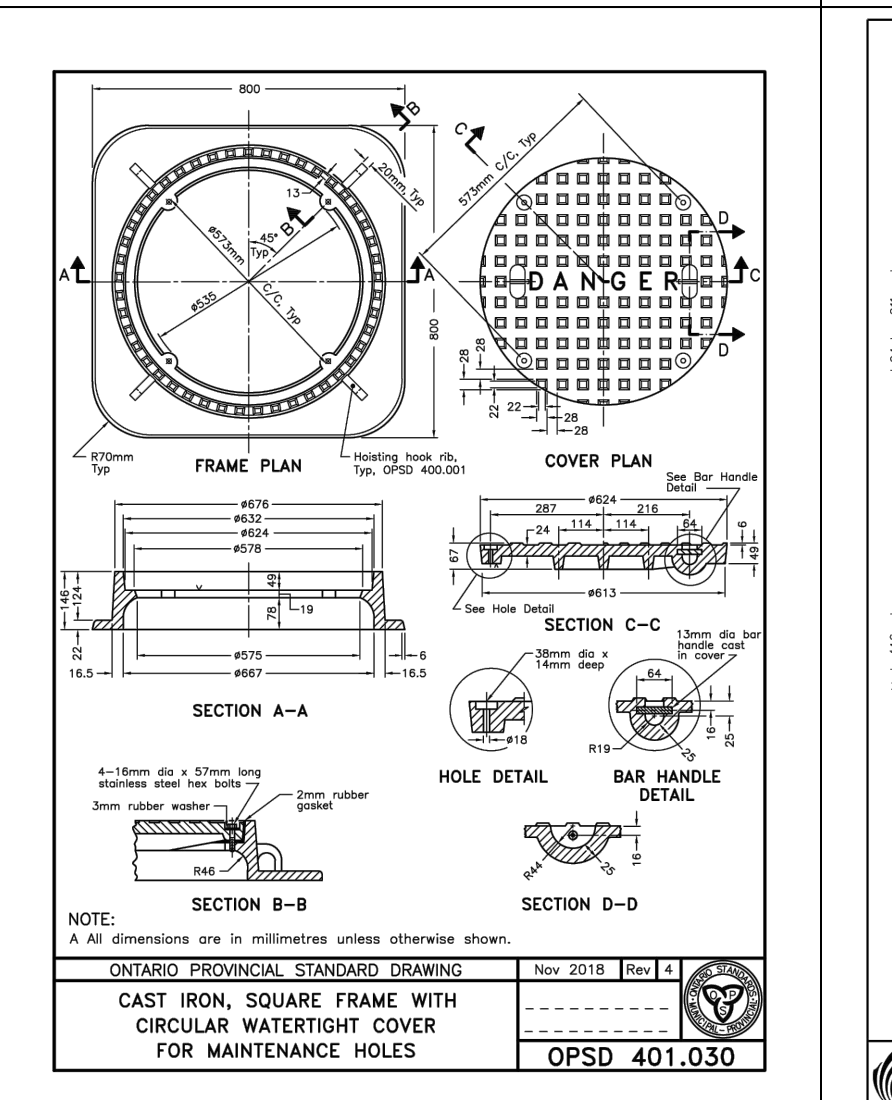
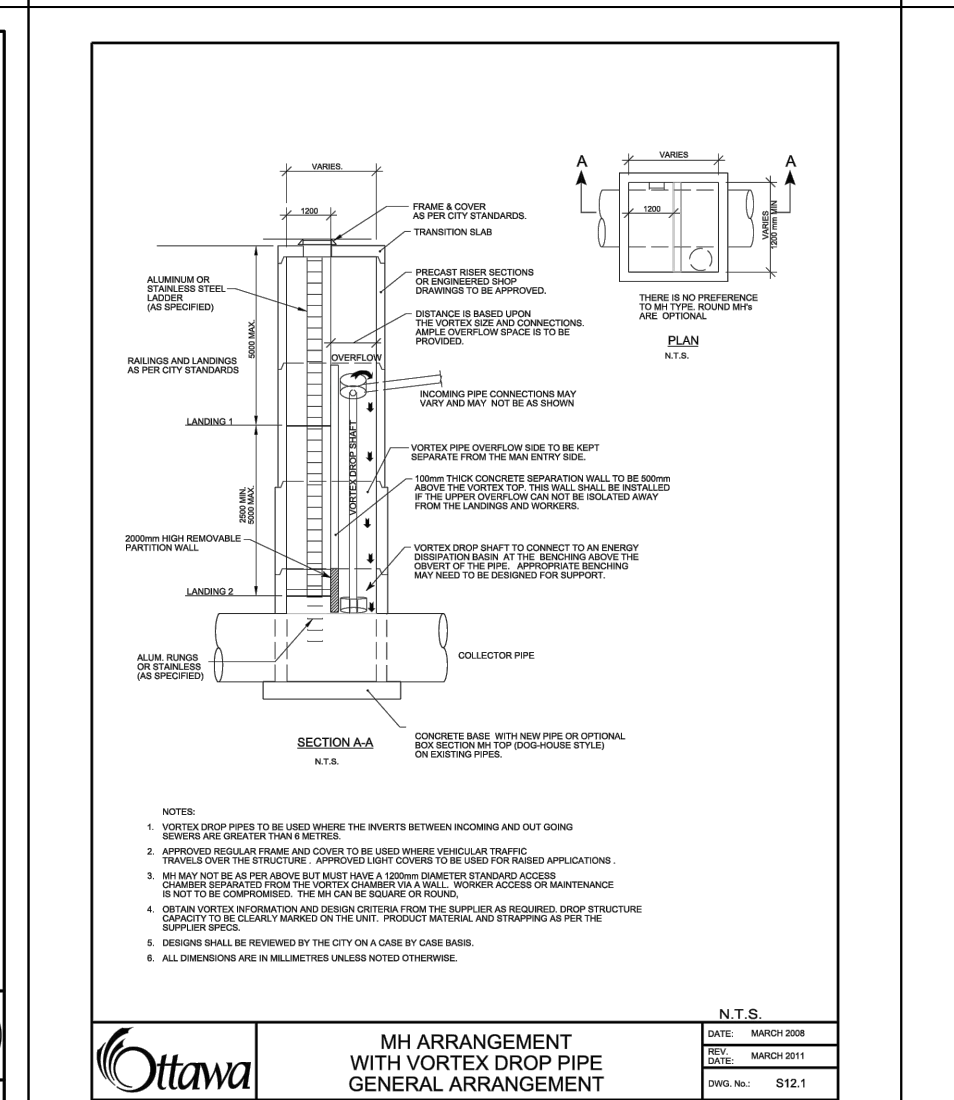
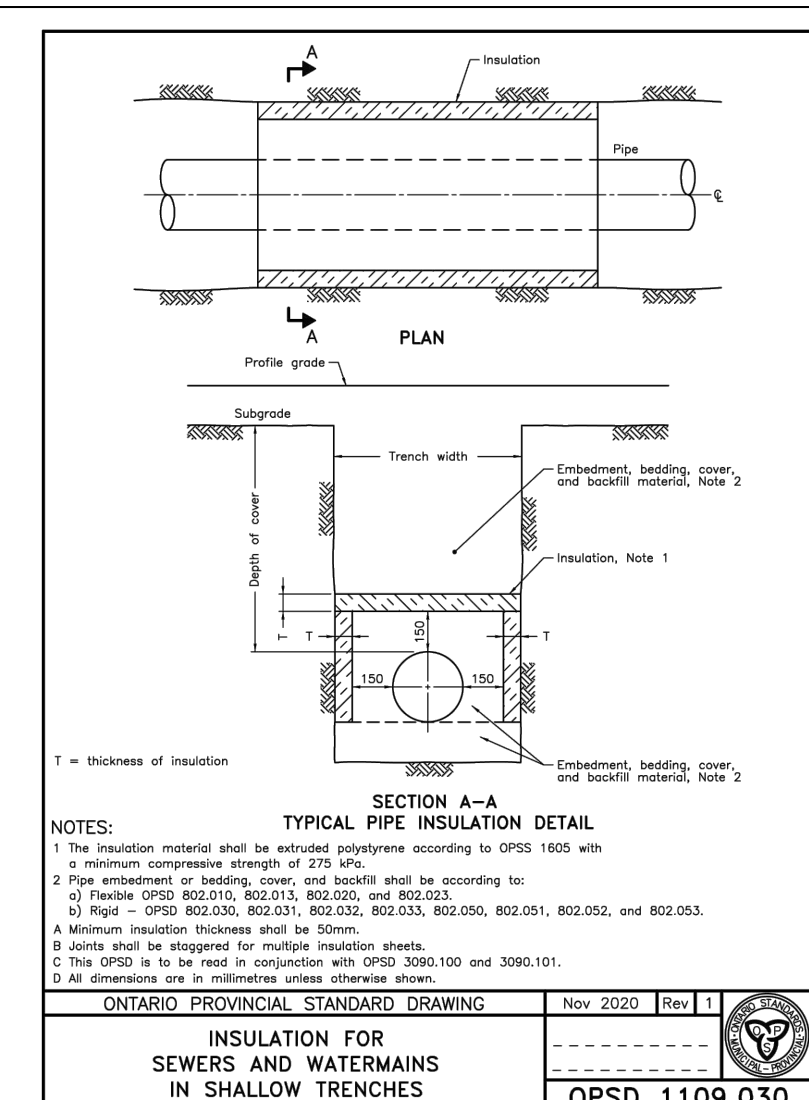
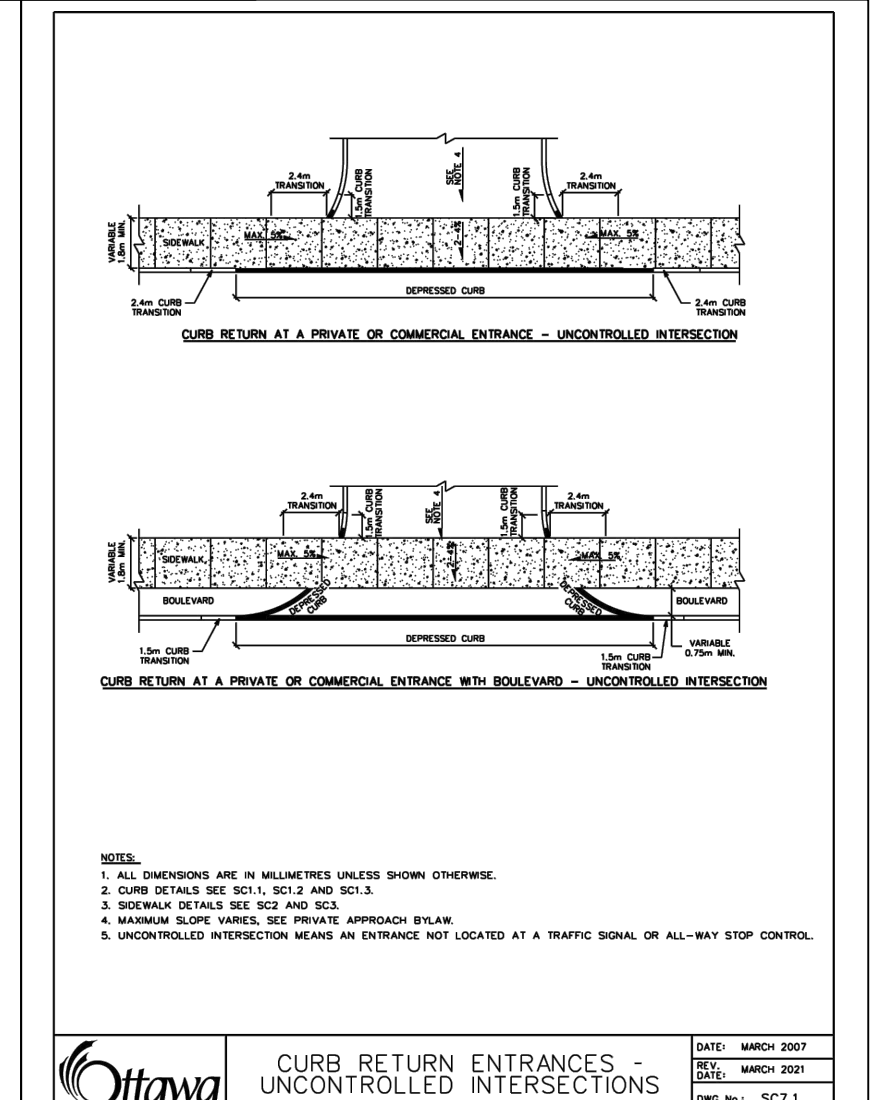
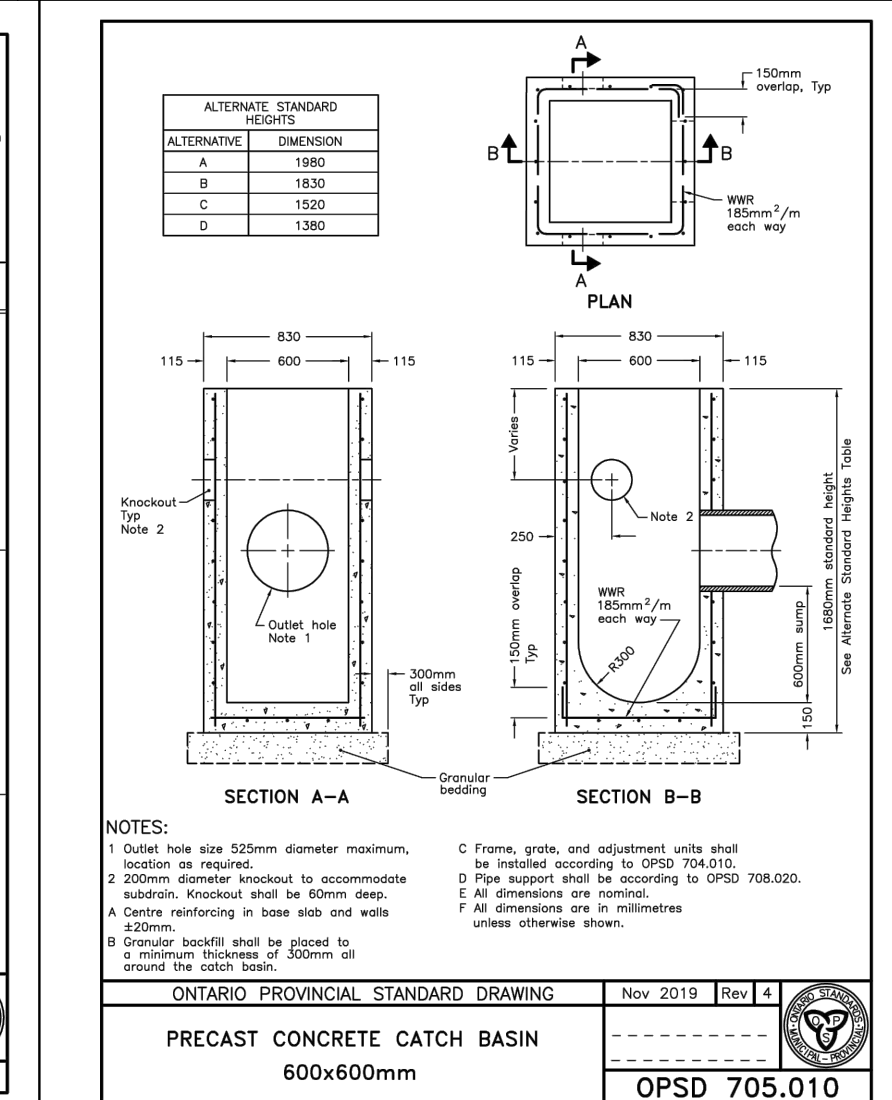
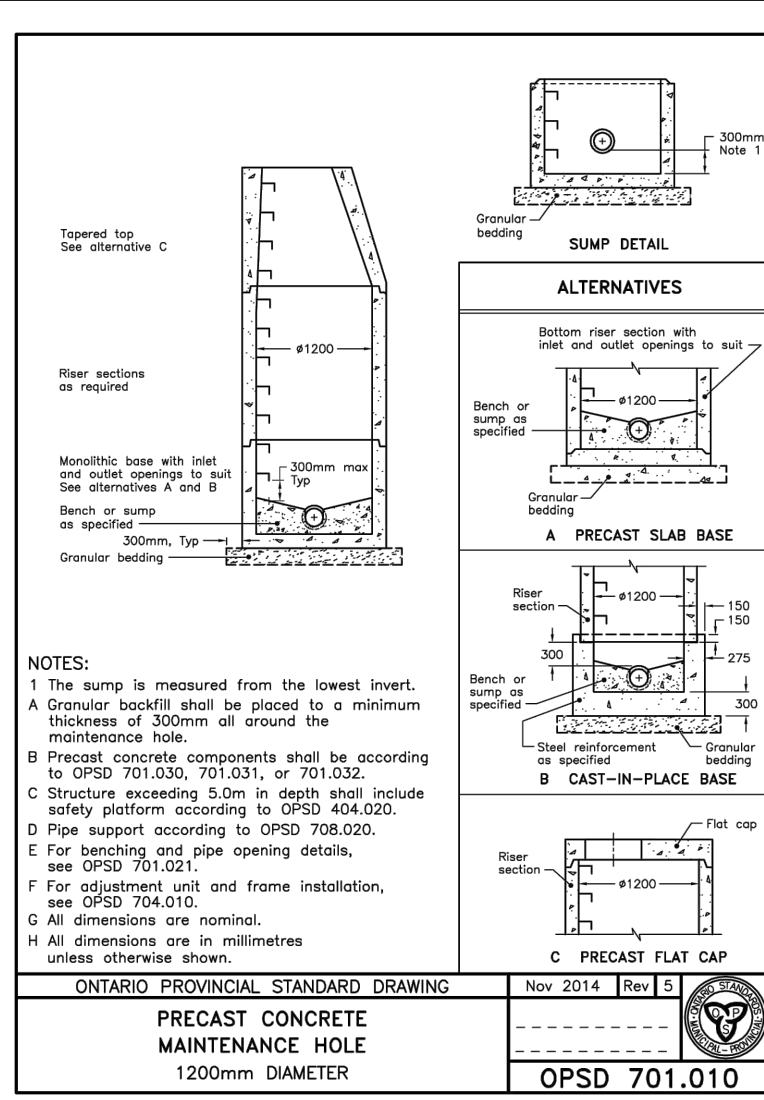
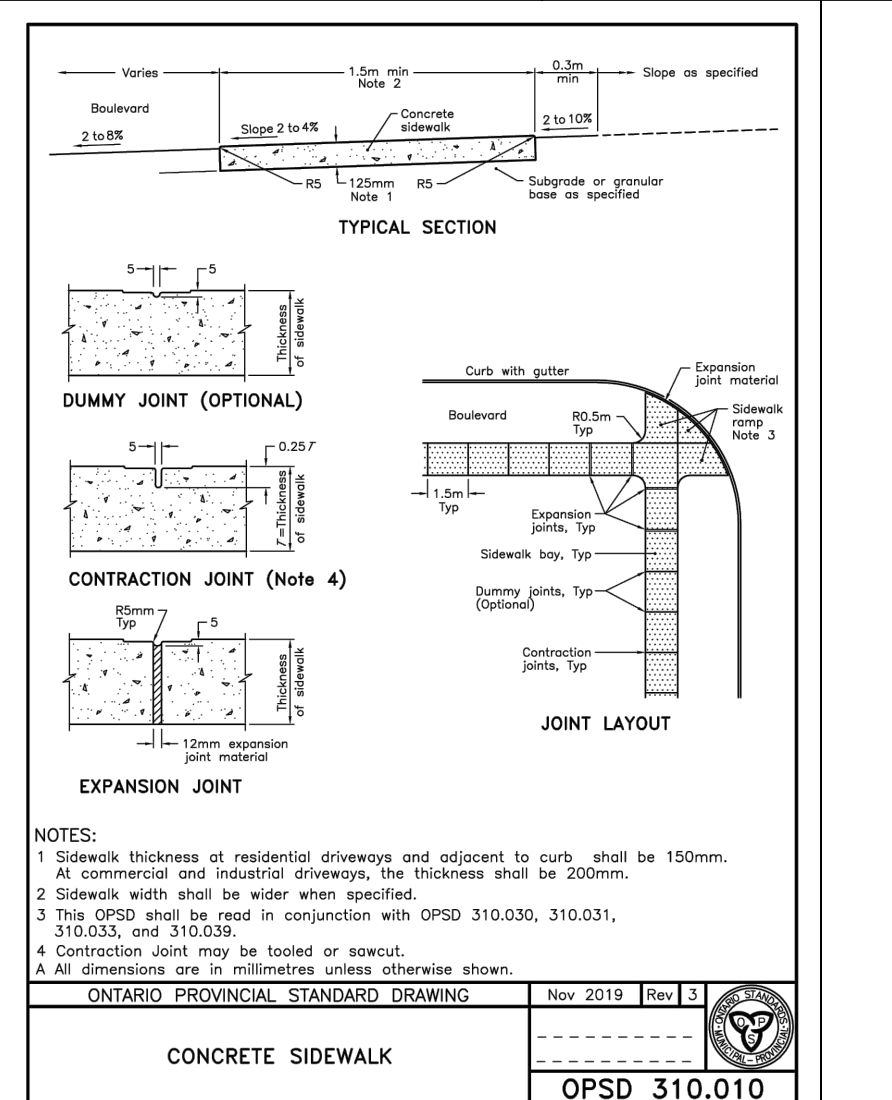
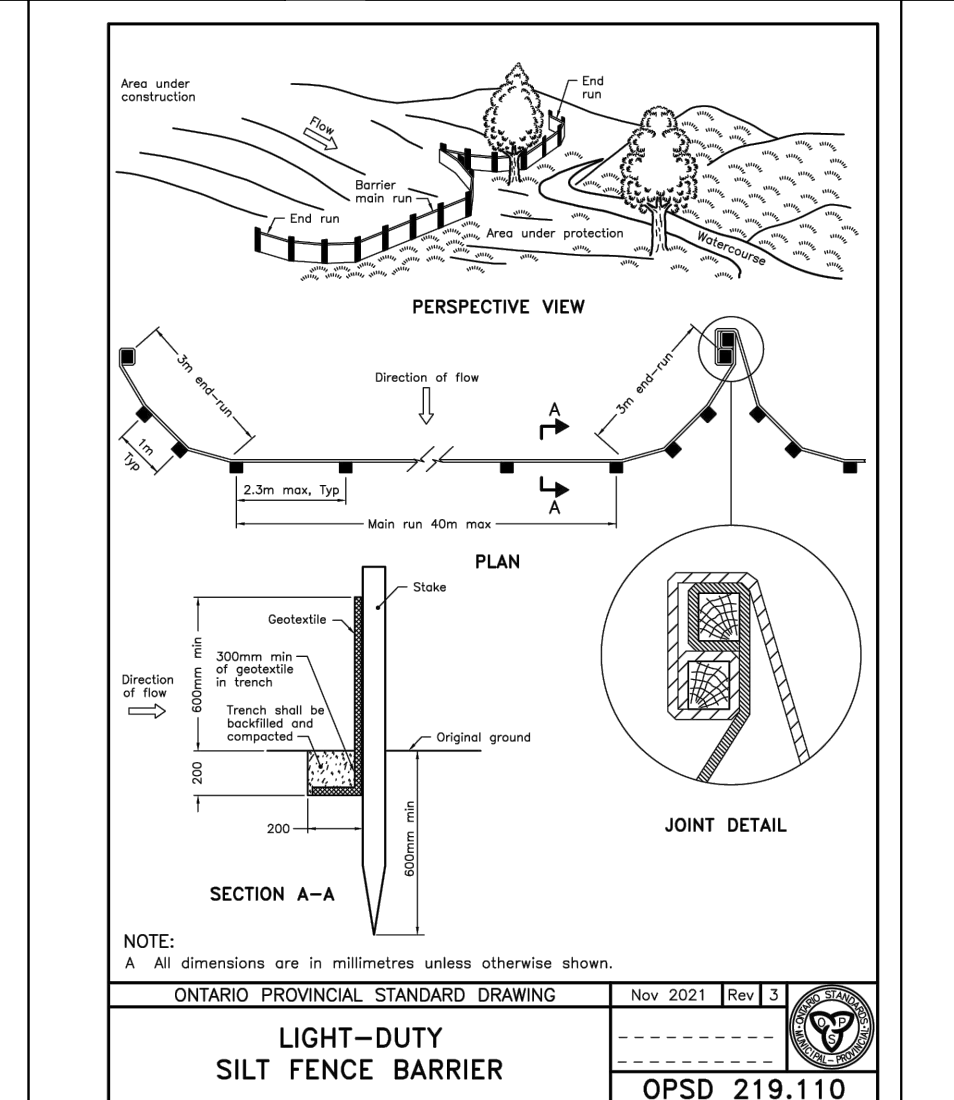
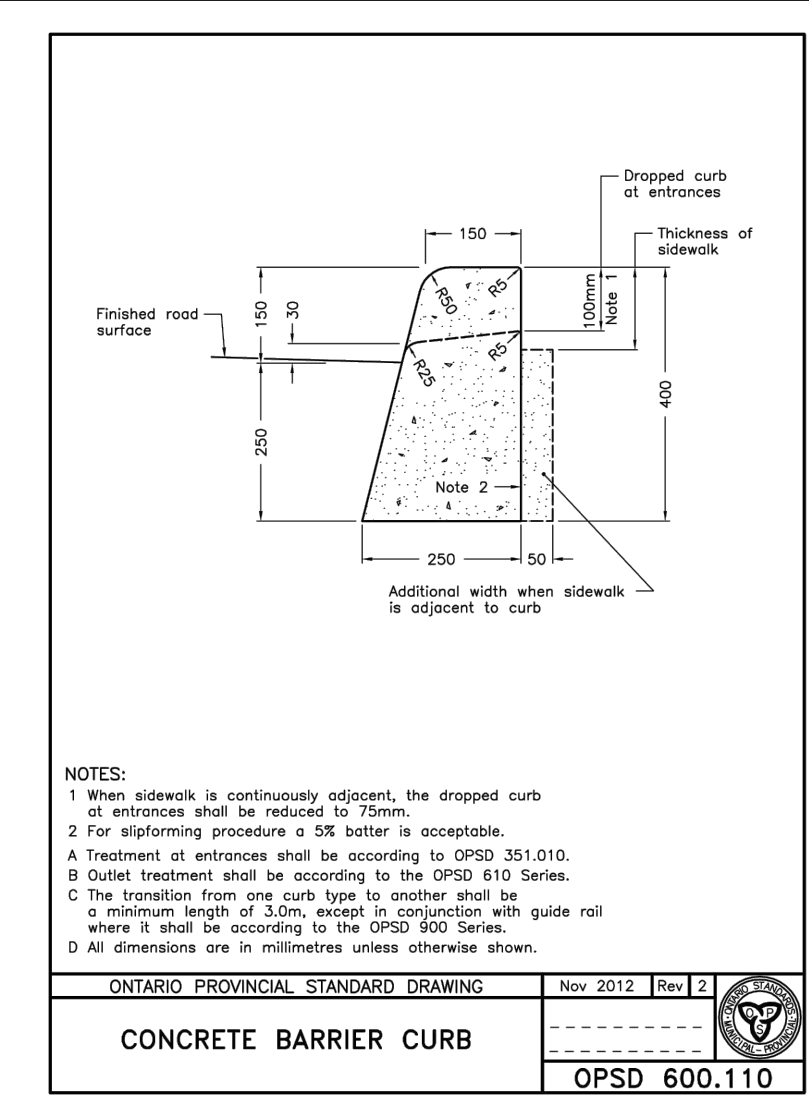


GENERAL CONDITIONS OF THE CONTRACT FOR CONSTRUCTION ARE PART OF THE CONTRACT DOCUMENTS AND DESCRIBE THE WORK AND INTENT OF THE DRAWINGS. THE CONTRACTOR AGREES TO ACCEPT THE DRAWINGS AS SHOWN AND INTENDS TO CONSTRUCT THE WORK IN ACCORDANCE WITH THE DRAWINGS. THE CONTRACTOR SHALL BE RESPONSIBLE FOR OBTAINING ALL NECESSARY PERMITS AND APPROVALS FROM THE APPROPRIATE AGENCIES AND AUTHORITIES. THE CONTRACTOR SHALL BE RESPONSIBLE FOR OBTAINING ALL NECESSARY PERMITS AND APPROVALS FROM THE APPROPRIATE AGENCIES AND AUTHORITIES. THE CONTRACTOR SHALL BE RESPONSIBLE FOR OBTAINING ALL NECESSARY PERMITS AND APPROVALS FROM THE APPROPRIATE AGENCIES AND AUTHORITIES.



SUBJECT FOR APPROVAL

No.	REVISIONS	BY	DATE
09	ISSUED FOR APPROVAL	M.L.	17 DEC 2024
08	ISSUED FOR APPROVAL	M.L.	24 OCT 2024
07	ISSUED FOR APPROVAL	M.L.	11 OCT 2024
06	ISSUED FOR APPROVAL	M.L.	08 AUG 2024
05	ISSUED FOR APPROVAL	S.V.	30 JUL 2024
04	ISSUED FOR APPROVAL	M.L.	28 JUN 2024
03	ISSUED FOR APPROVAL	M.L.	29 JAN 2024
02	ISSUED FOR APPROVAL	M.L.	25 OCT 2023
01	ISSUED FOR COORDINATION	M.L.	06 OCT 2023

PROFESSIONAL ENGINEER
M. BASNET
100501996
PROVINCE OF ONTARIO

LRL
ENGINEERING | INGENIERIE
5430 Canotek Road | Ottawa, ON, K1J 9G2
www.lrl.ca | (613) 842-3434

TRIM WORKS DEVELOPMENT LTD

DESIGNED BY: M.L. DRAWN BY: M.L. APPROVED BY: M.B.

PLAZA TRIM ROAD DEVELOPMENT
1280 TRIM RD,
OTTAWA, ON

PROJECT NO. 230202
DATE APRIL 2023

C901
#19188

D07-12-24-0089