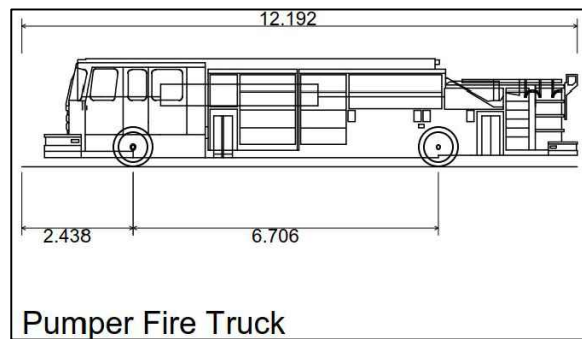


FIRE TRUCK  
SITE CIRCULATION  
FIGURE

LEGEND



OPERATION DESCRIPTION

FIRE TRUCK  
ENTERING SITE  
EXITING SITE

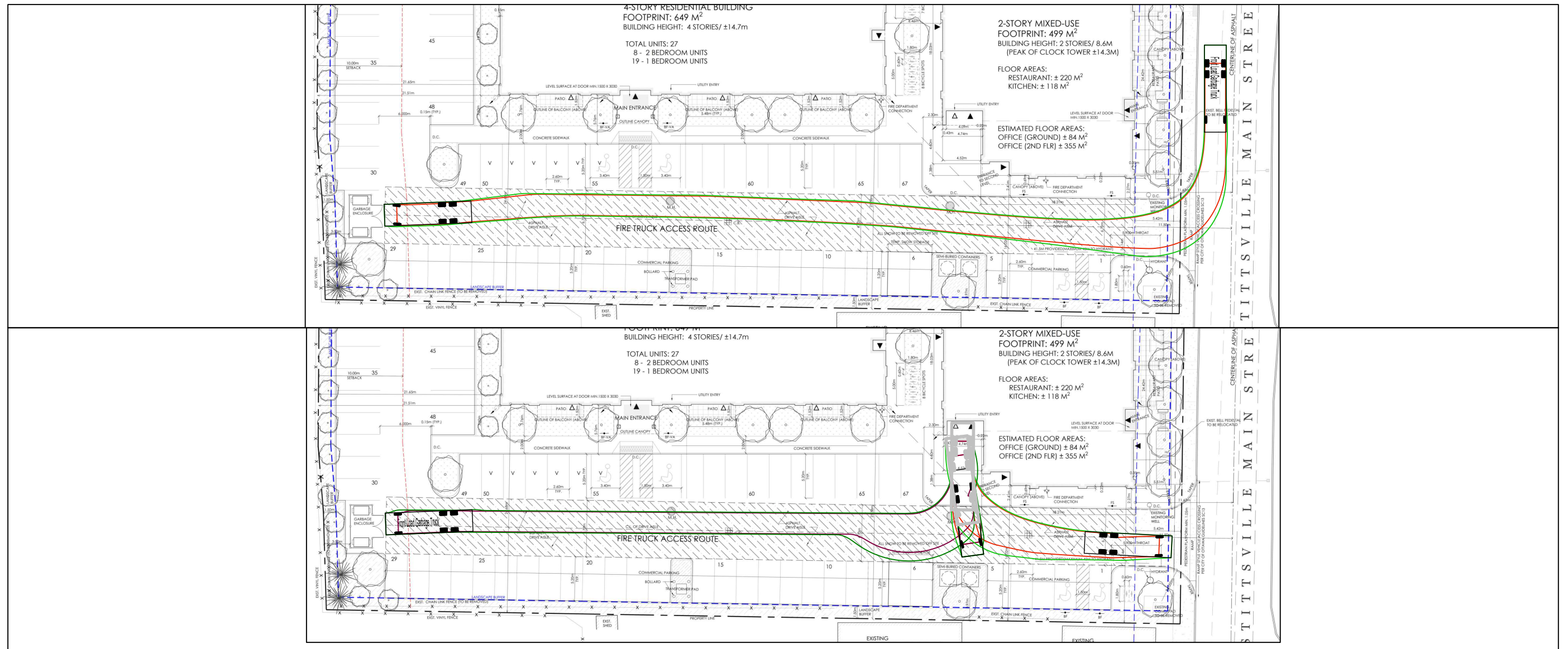
SCALE 1:125



METRIC

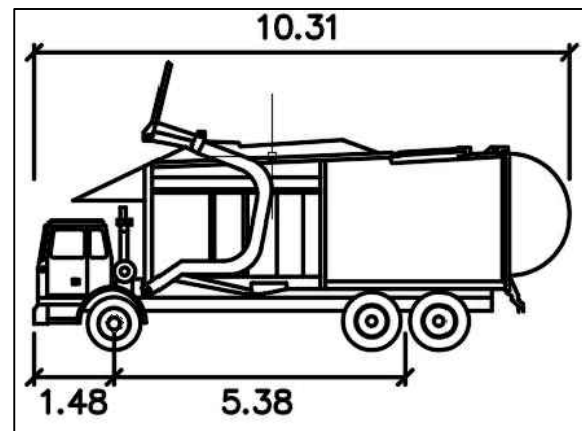


DATE	PROJECT No.	FIGURE
FEB 2024	OCP-190608	1



FRONT LOADING GARBAGE TRUCK  
SITE CIRCULATION  
FIGURE

LEGEND



OPERATION DESCRIPTION

FRONT LOADING GARBAGE TRUCK  
ENTERING SITE  
EXITING SITE

SCALE 1:250



METRIC



DATE	PROJECT No.	FIGURE
FEB 2024	OCP-190608	2

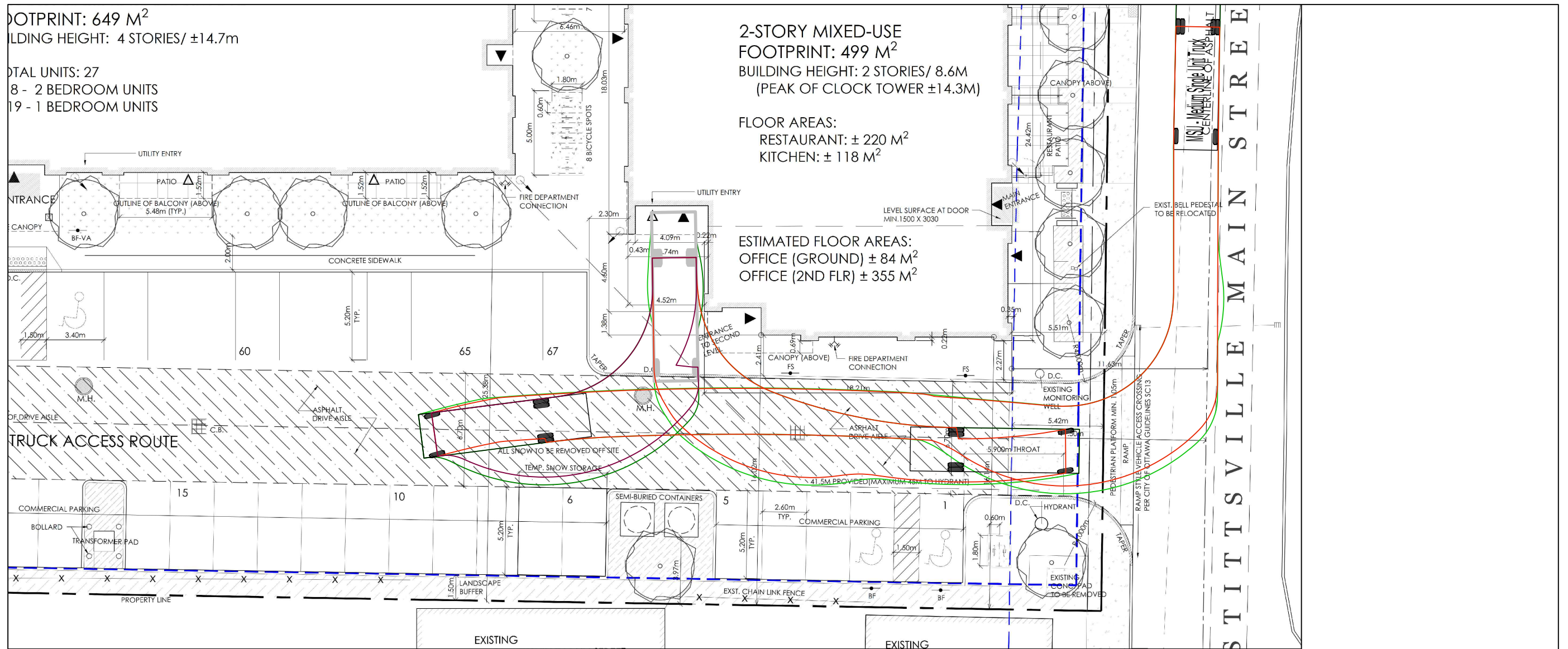
FOOTPRINT: 649 M<sup>2</sup>  
 BUILDING HEIGHT: 4 STORIES/ ±14.7m

TOTAL UNITS: 27  
 8 - 2 BEDROOM UNITS  
 19 - 1 BEDROOM UNITS

2-STORY MIXED-USE  
 FOOTPRINT: 499 M<sup>2</sup>  
 BUILDING HEIGHT: 2 STORIES/ 8.6M  
 (PEAK OF CLOCK TOWER ±14.3M)

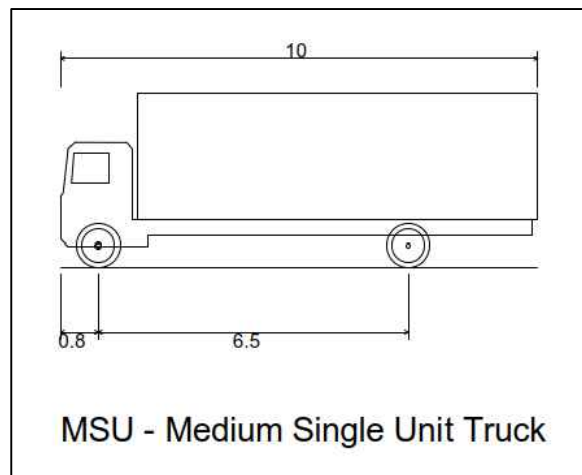
FLOOR AREAS:  
 RESTAURANT: ± 220 M<sup>2</sup>  
 KITCHEN: ± 118 M<sup>2</sup>

ESTIMATED FLOOR AREAS:  
 OFFICE (GROUND) ± 84 M<sup>2</sup>  
 OFFICE (2ND FLR) ± 355 M<sup>2</sup>



MEDIUM SINGLE UNIT TRUCK  
 (MSU)  
 SITE CIRCULATION  
 FIGURE

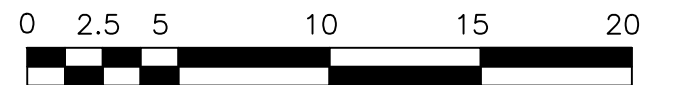
LEGEND



OPERATION DESCRIPTION

MSU  
 ENTERING AND EXITING  
 LOADING SPACE

SCALE 1:125



METRIC



DATE	PROJECT No.	FIGURE
FEB 2024	OCP-190608	3