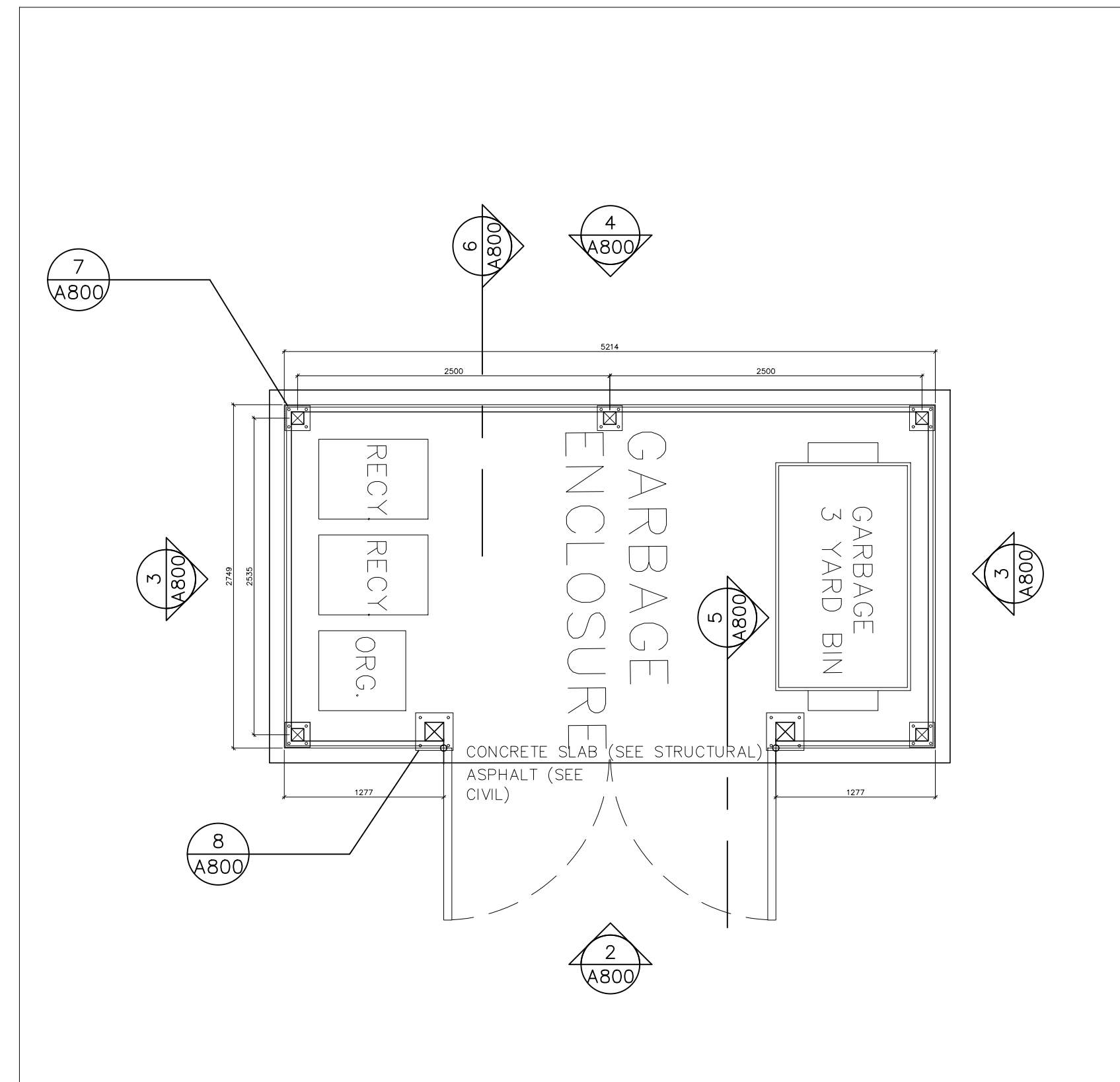
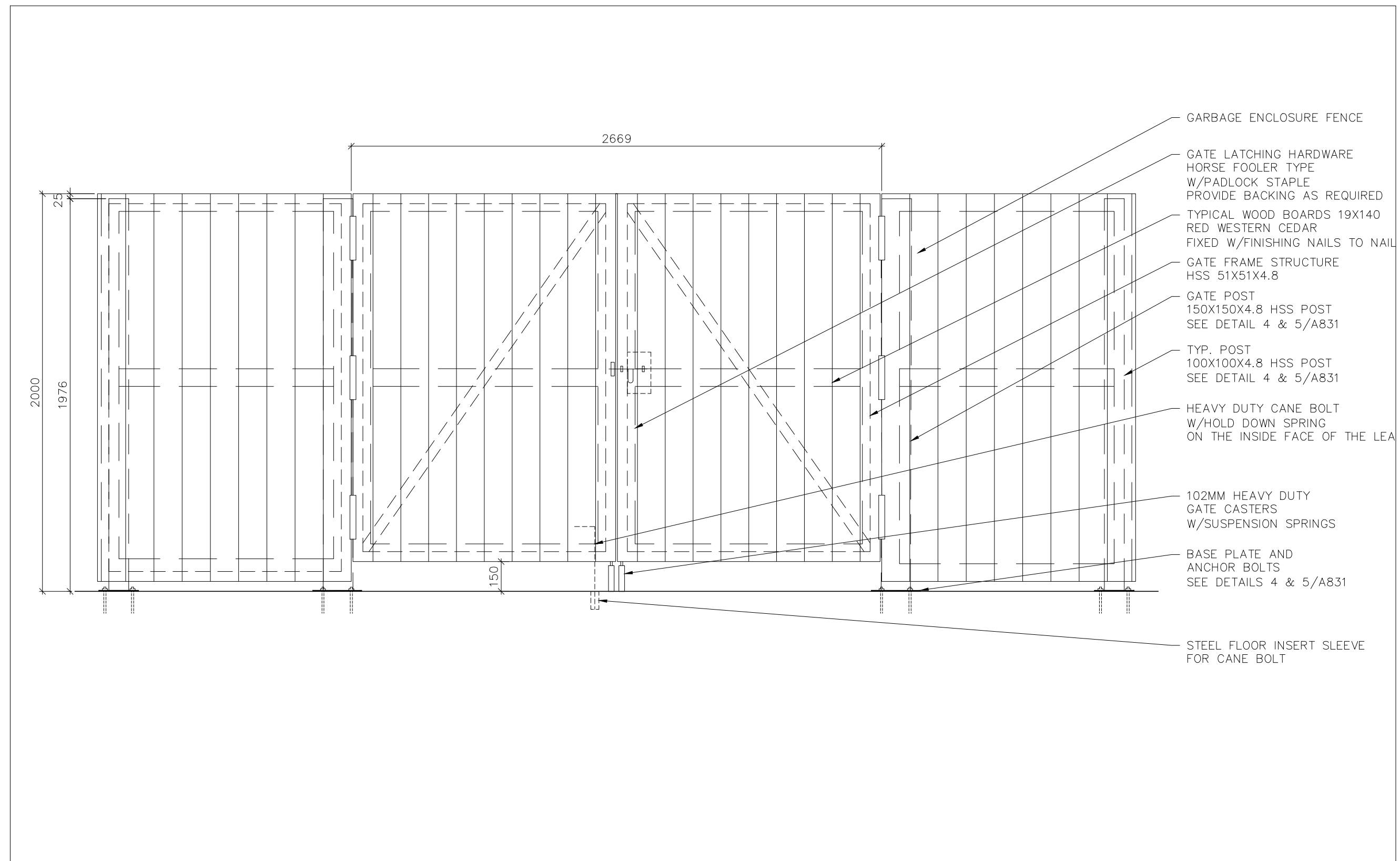


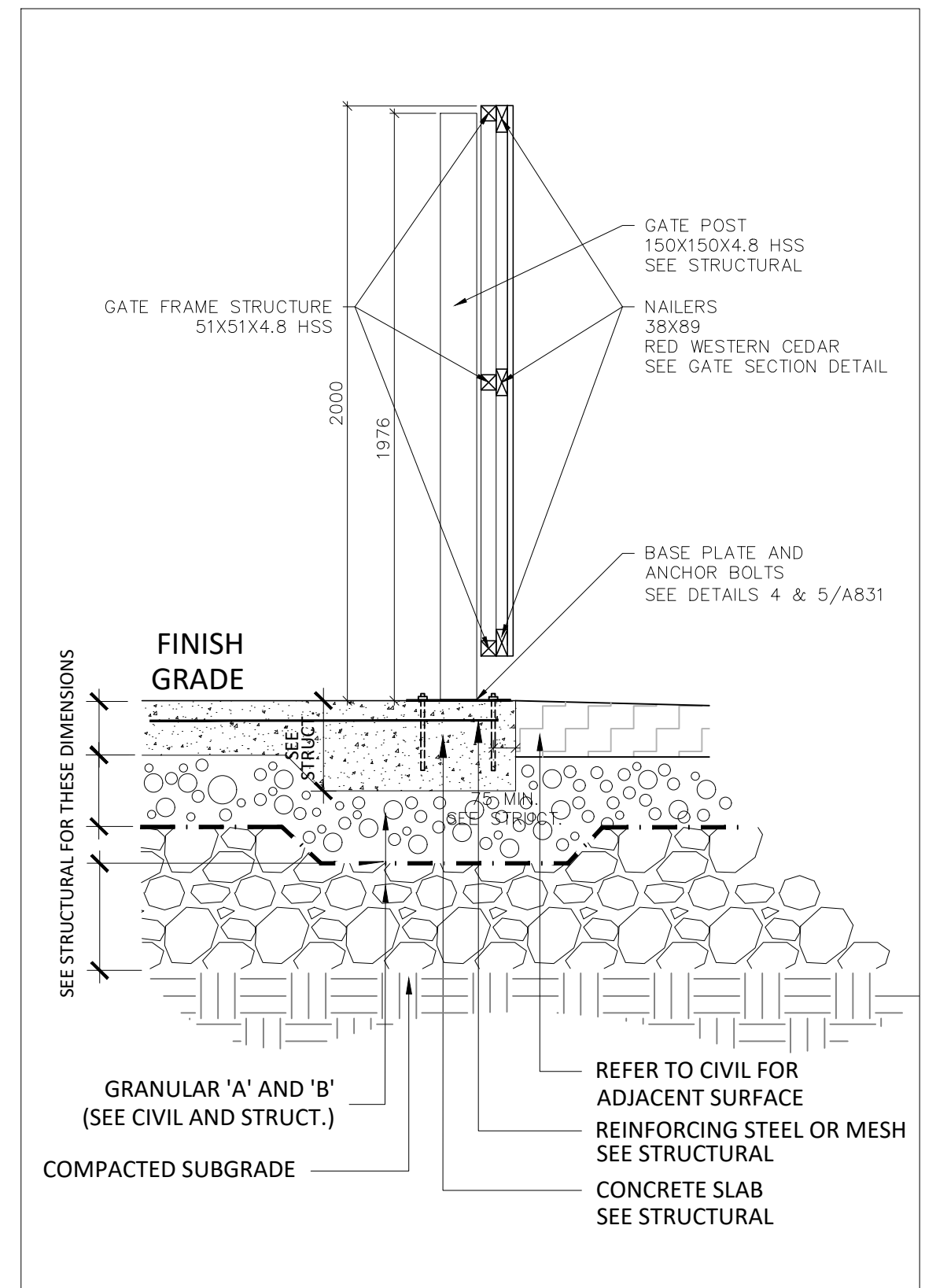
#	REVISION	DATE
1	ISSUED FOR REVIEW	01-02-24
2	ISSUED FOR SITE PLAN	16-02-24
3	ISSUED FOR CO-ORDINATION	21-02-24
4	ISSUED FOR CO-ORDINATION	04-03-24
5	ISSUED FOR CO-ORDINATION	21-03-24
6	ISSUED FOR CO-ORDINATION	24-04-24
7	ISSUED FOR SITE PLAN	24-05-03
8	ISSUED FOR PERMIT	24-05-30
9		
10		



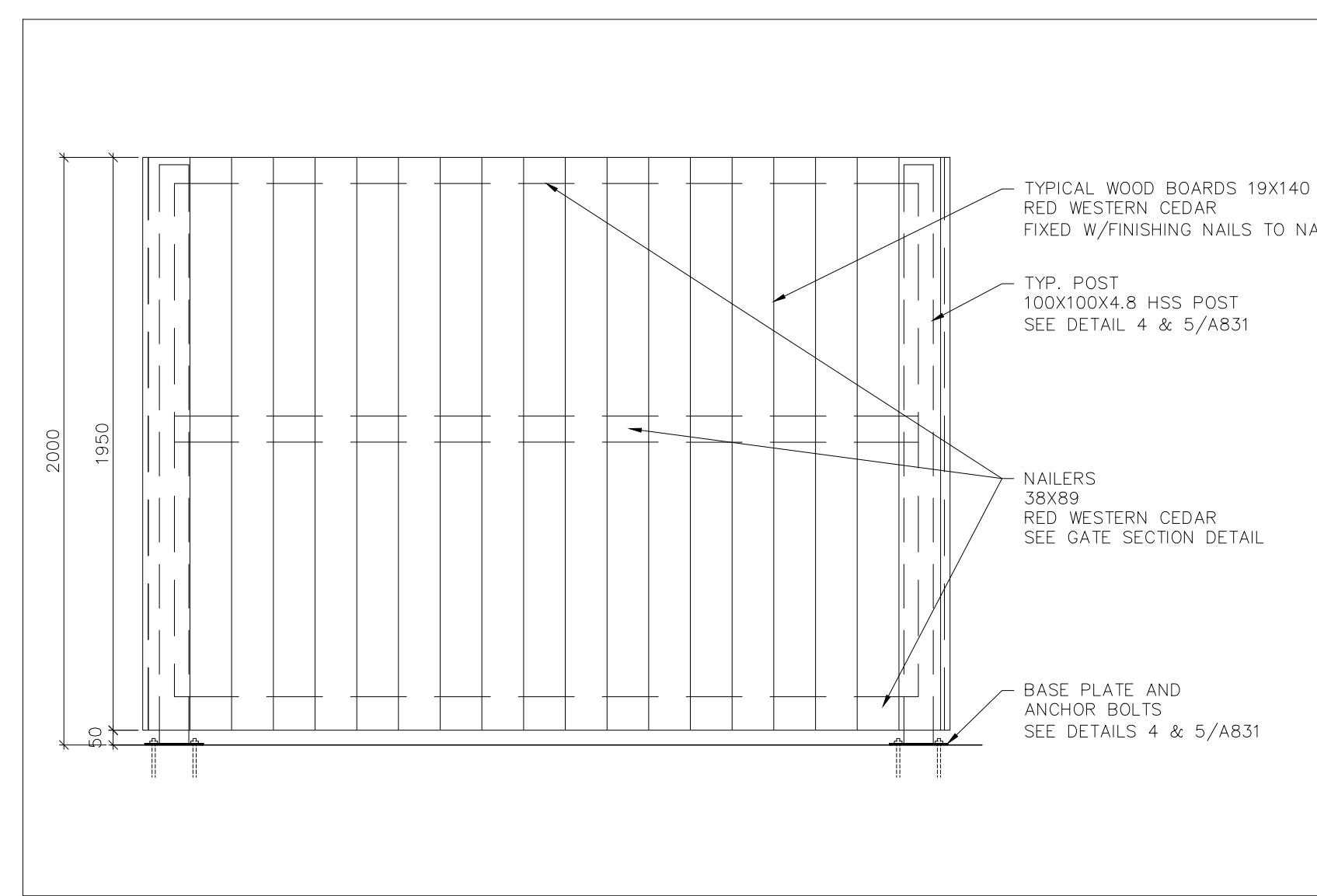
1 GARBAGE ENCLOSURE FLOOR PLAN
SCALE: 1:40



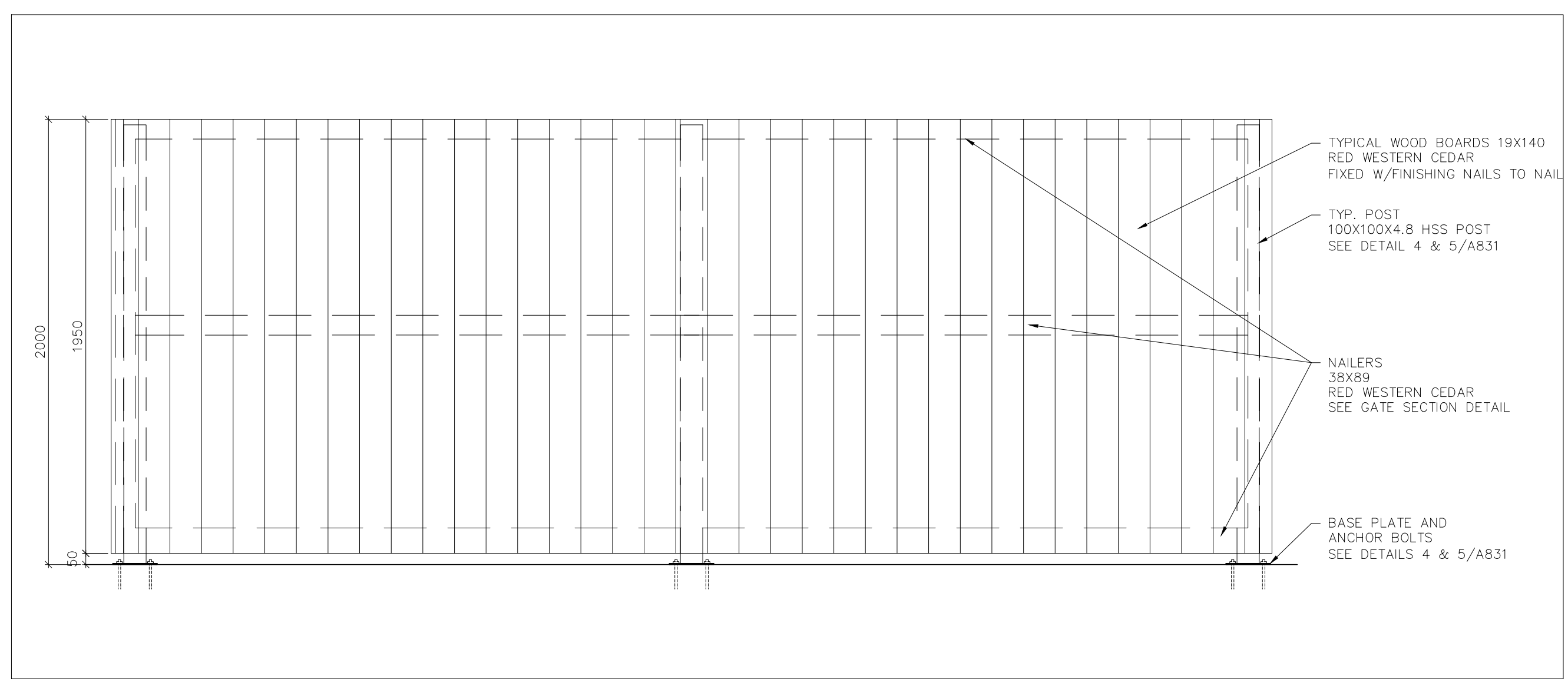
2 GATE VIEW - EAST ELEVATION
SCALE: 1:20



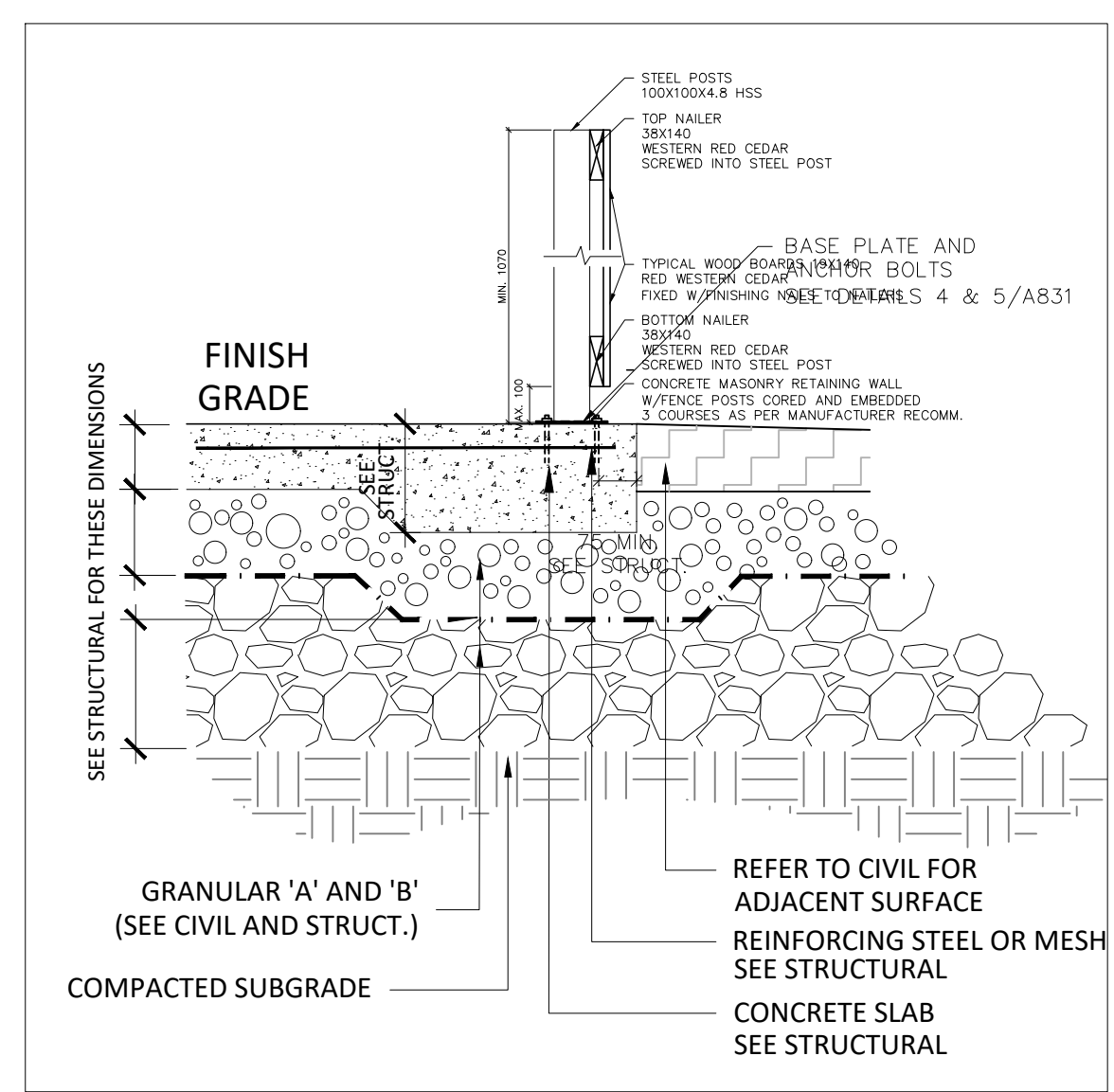
5 GARB. ENCL. GATE & GATE POST DETAIL
SCALE: 1:20



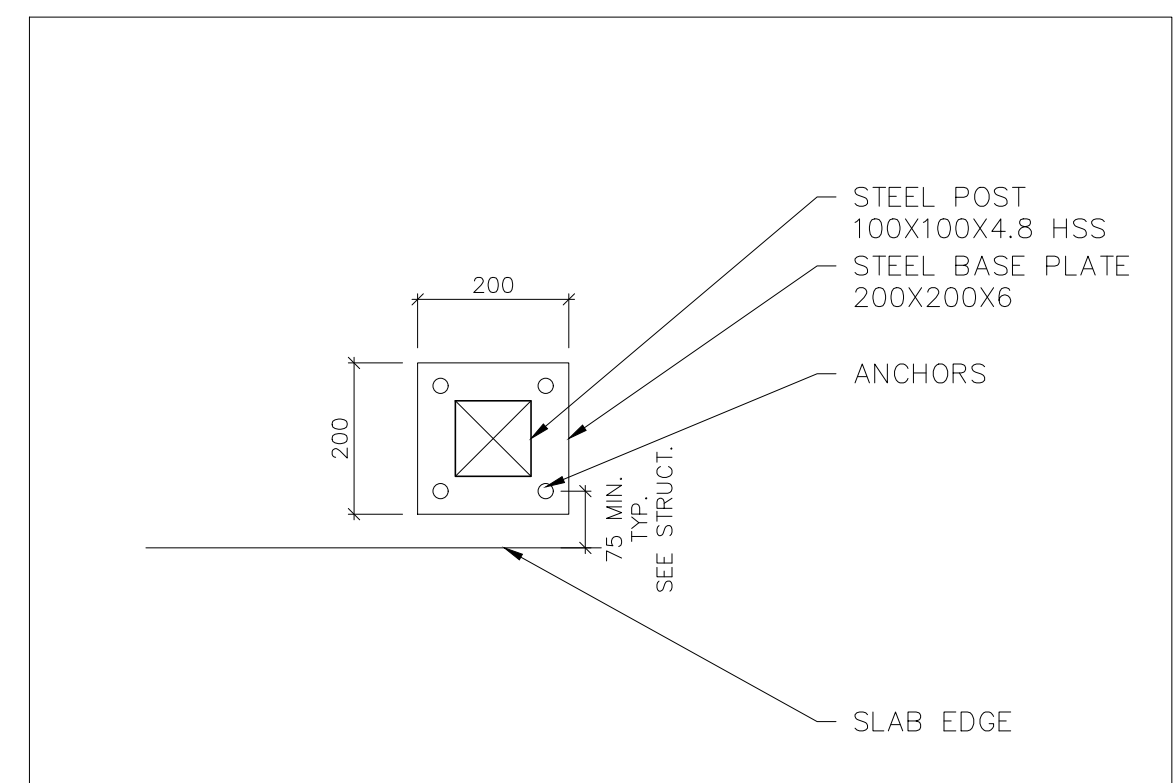
3 NORTH & SOUTH ELEVATION - FENCE VIEW (FROM OUTSIDE)
SCALE: 1:20



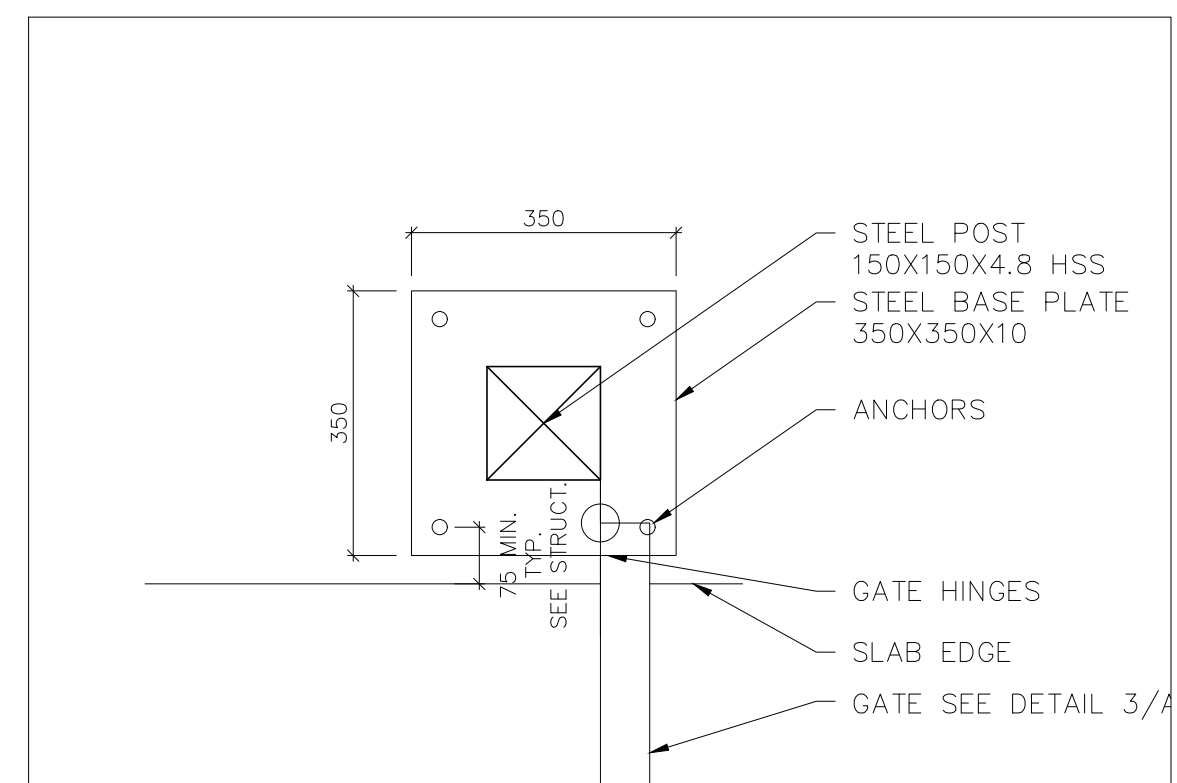
4 WEST ELEVATION - FENCE VIEW (FROM OUTSIDE)
SCALE: 1:20



6 GARB. ENCL. FENCE DETAIL
SCALE: 1:10



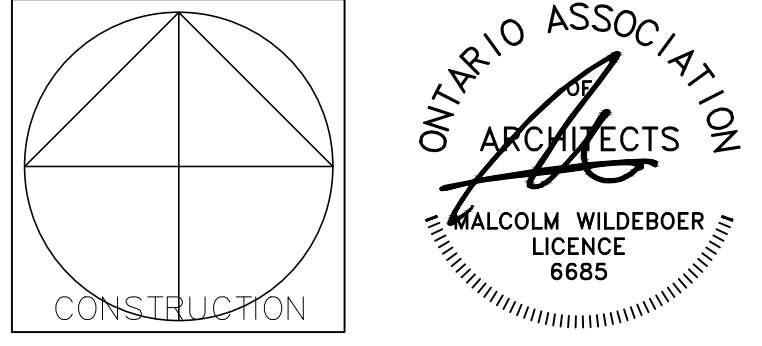
7 BASE PLATE DETAIL
SCALE: 1:10



8 BASE PLATE DETAIL
SCALE: 1:10

APPROVED
By Kersten Nitsche at 12:29 pm, Dec 19, 2024

Kersten Nitsche
KERSTEN NITSCHKE, MCIP RPP
MANAGER (A), DEVELOPMENT REVIEW WEST
PLANNING, DEVELOPMENT AND BUILDING SERVICES
DEPARTMENT, CITY OF OTTAWA



Vandenberg & Wildeboer
ARCHITECTS

PROJECT TITLE
STITTSVILLE STATION
1518-1524-1526 STITTSVILLE MAIN STREET

DRAWING TITLE
GARBAGE GATE AND FENCE DETAILS

DESIGNED BY: MALCOLM WILDEBOER
DRAWN BY: JE
START DATE: AS SHOWN
PROJECT NO. 2306

SCALE: AS SHOWN

CONSTRUCTION

D07-12-24-0093 PLAN #19180