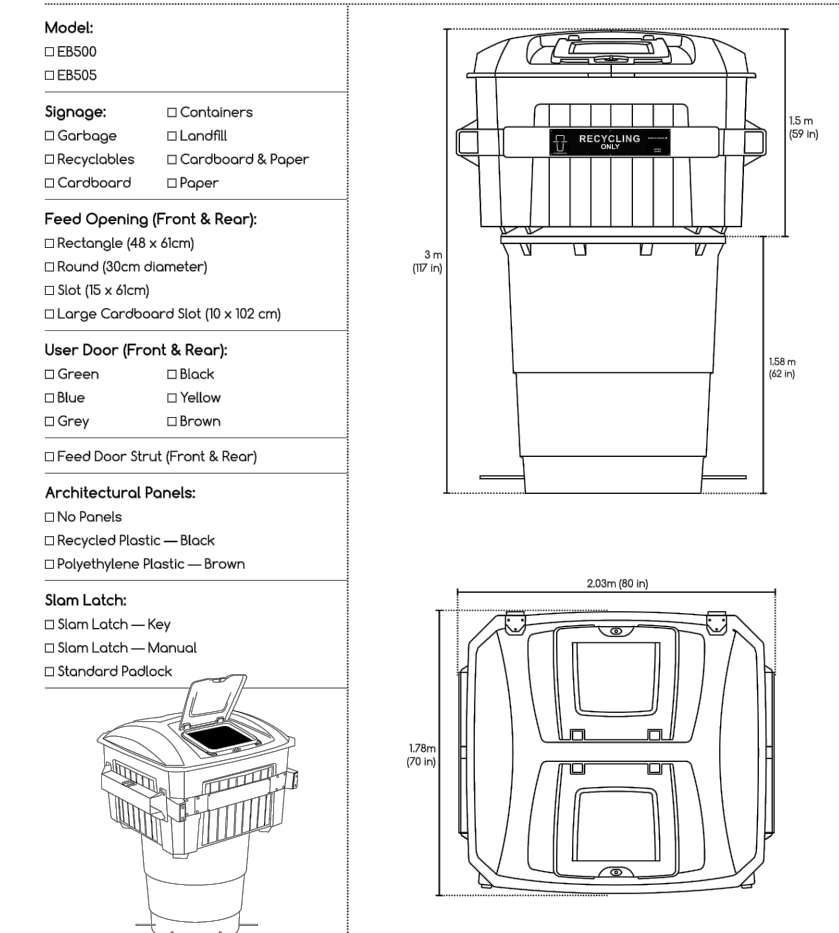


EarthBin® E8500 & E8505
Capacity: 5000 Litre / 4.5 yd³
www.earthbin.com
earthbin@earthbin.com



Model:
E8500
E8505

Signage:
Containers
Garage
Recyclables
Cardboard & Paper
Cardboard
Paper

Feed Opening (Front & Rear):
Rectangular (H x W)
Round (300mm diameter)
Slot (6 x 4mm)
Large Cardboard Slot (6 x 102 cm)

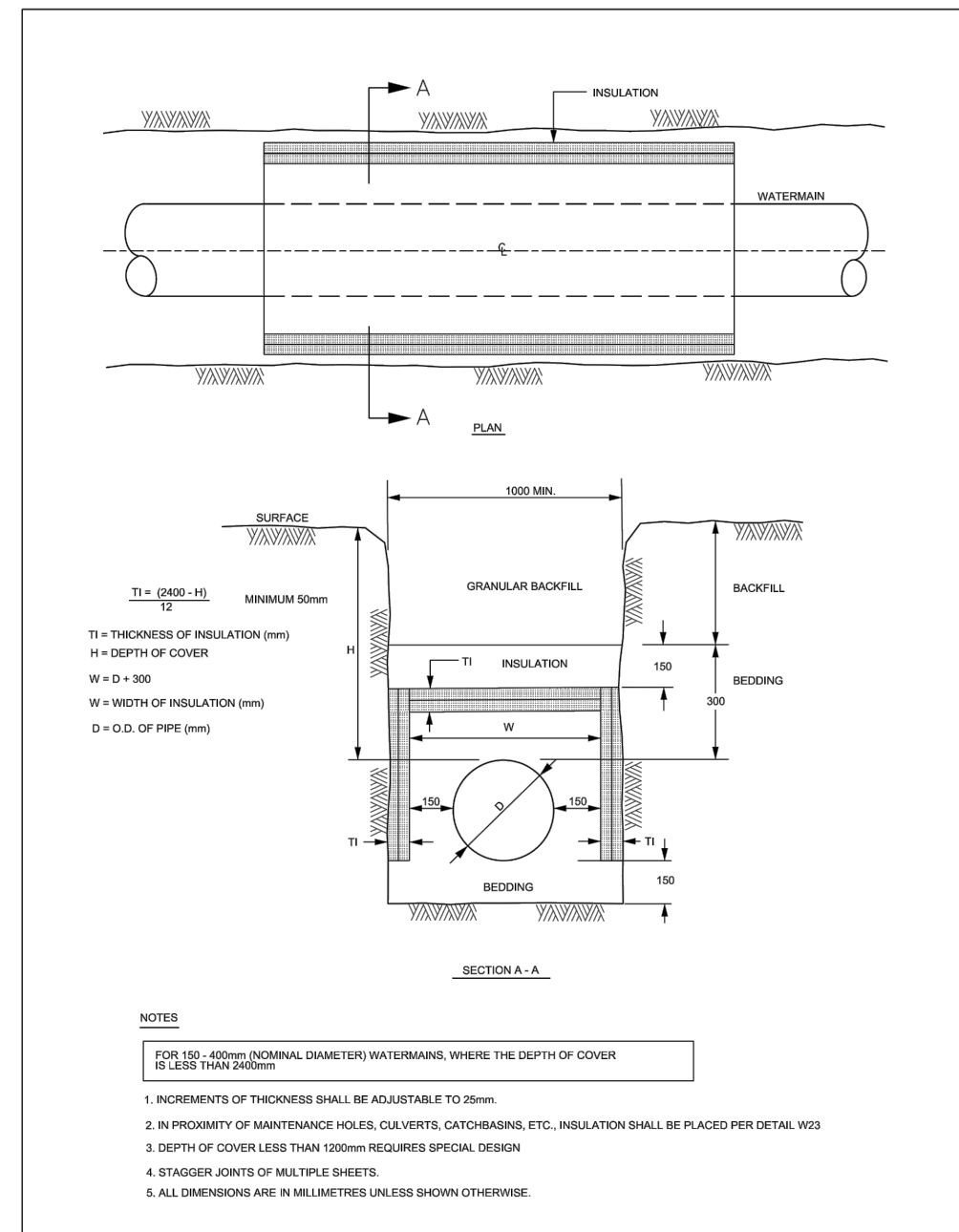
User Door (Front & Rear):
Green
Black
Blue
Grey
Brown

Architectural Panels:
No Panels
Recycled Plastic - Black
Polyethylene Plastic - Brown

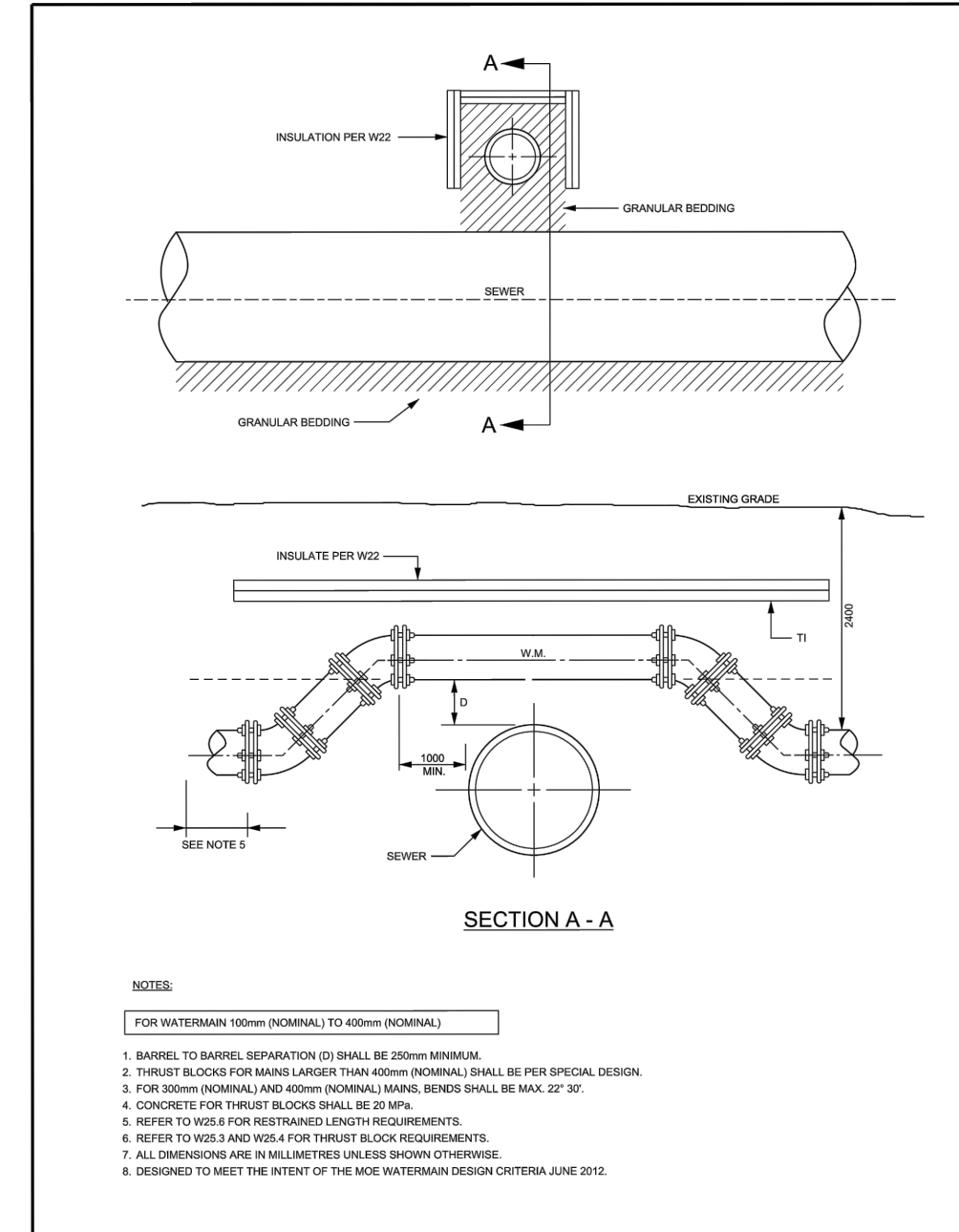
Slam Latch:
Slam Latch - Key
Slam Latch - Manual
Standard Padlock

8500, 8505
2/2023

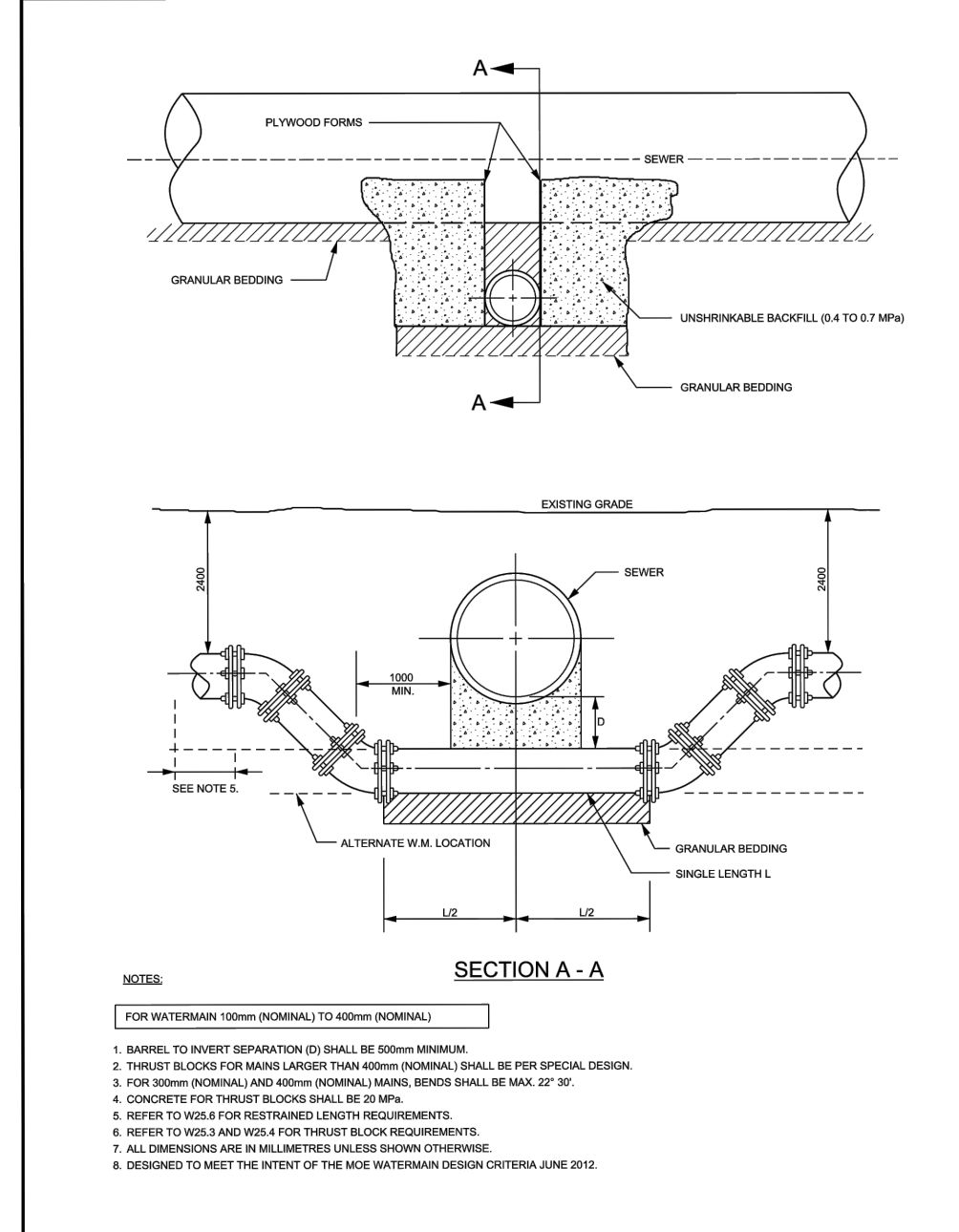
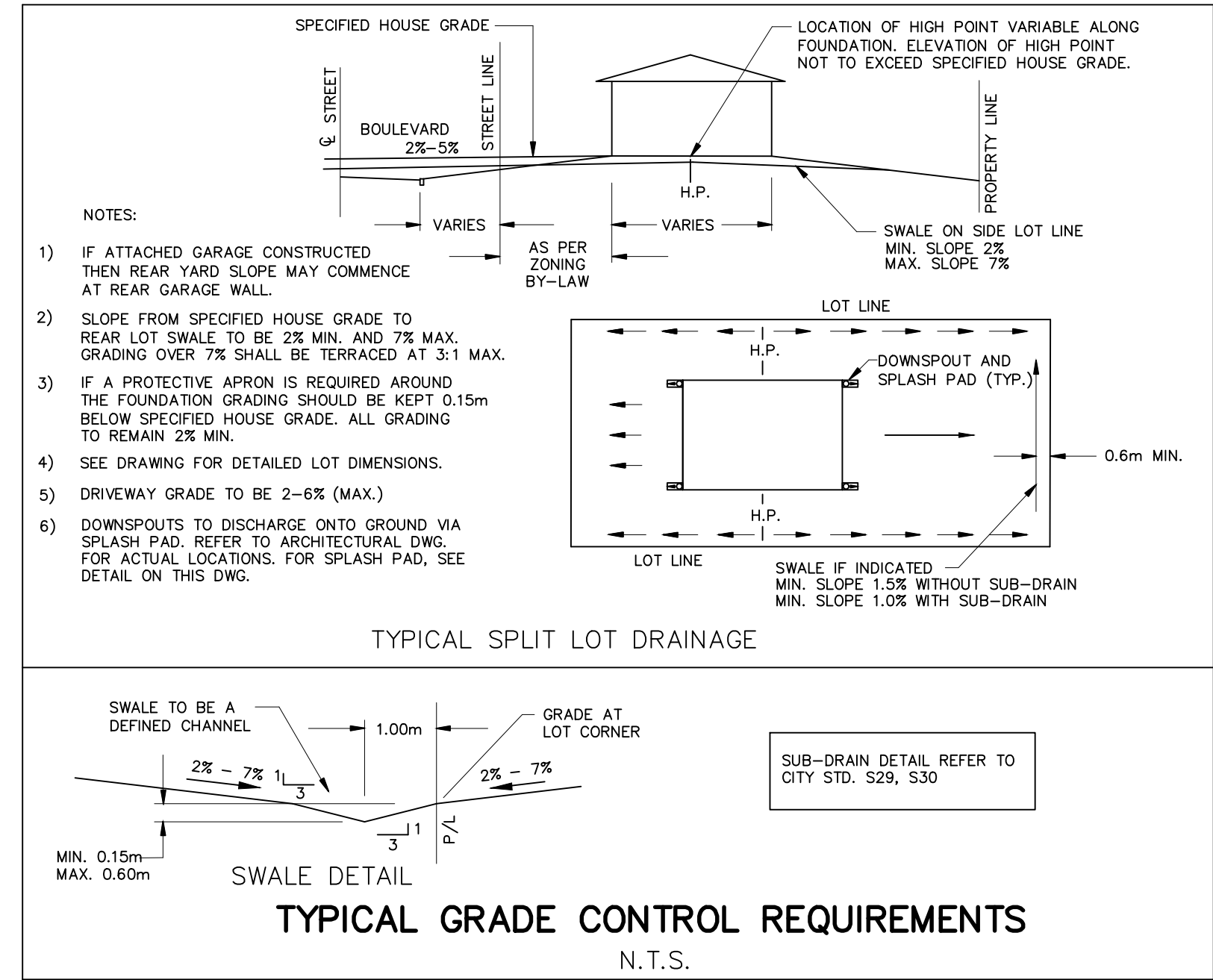
Patent Pending
All Content © EarthBin



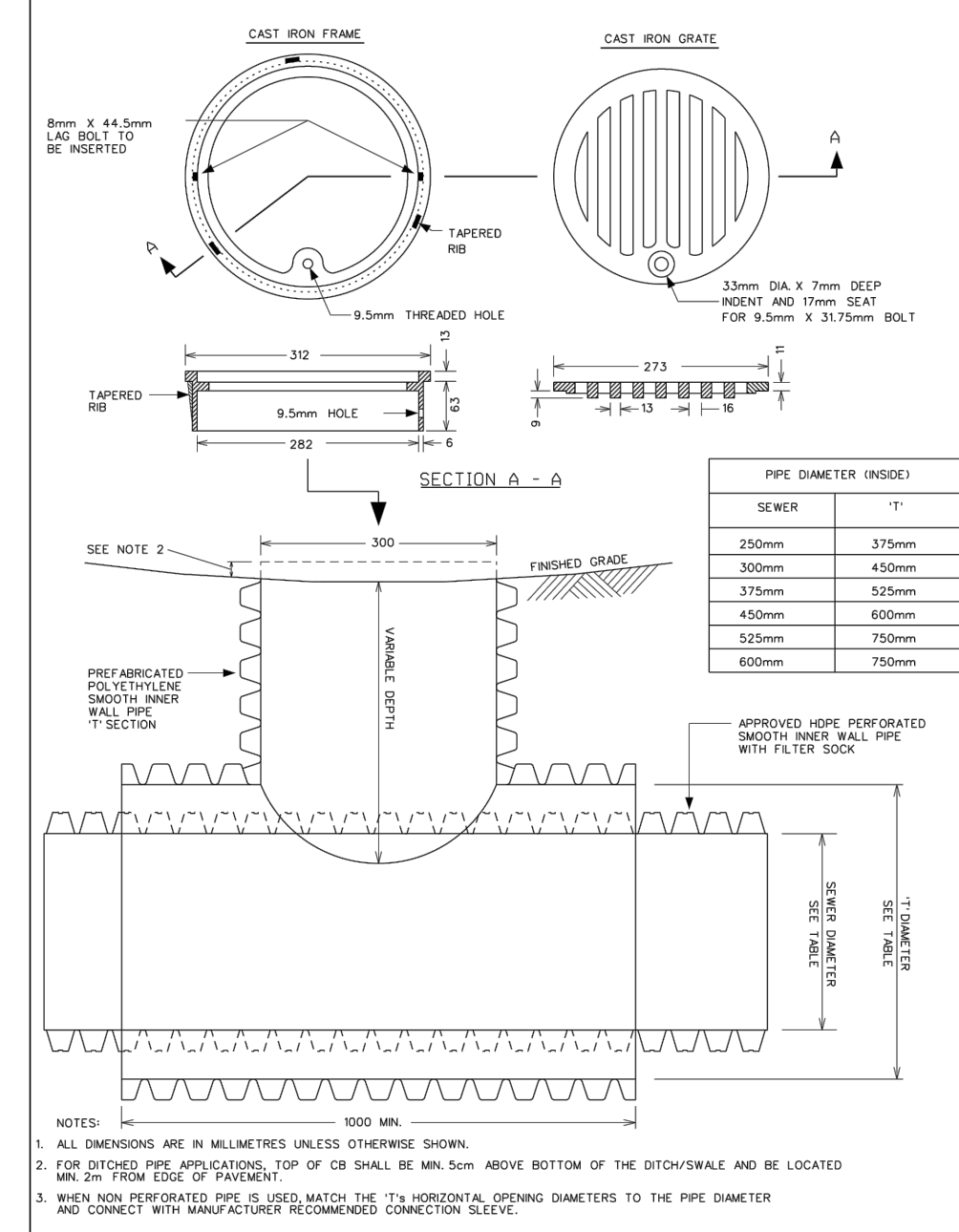
Ottawa THERMAL INSULATION FOR WATERMANS IN SHALLOW TRENCHES
DATE: MAY 2001
REV: MARCH 2013
DWG. No.: W22



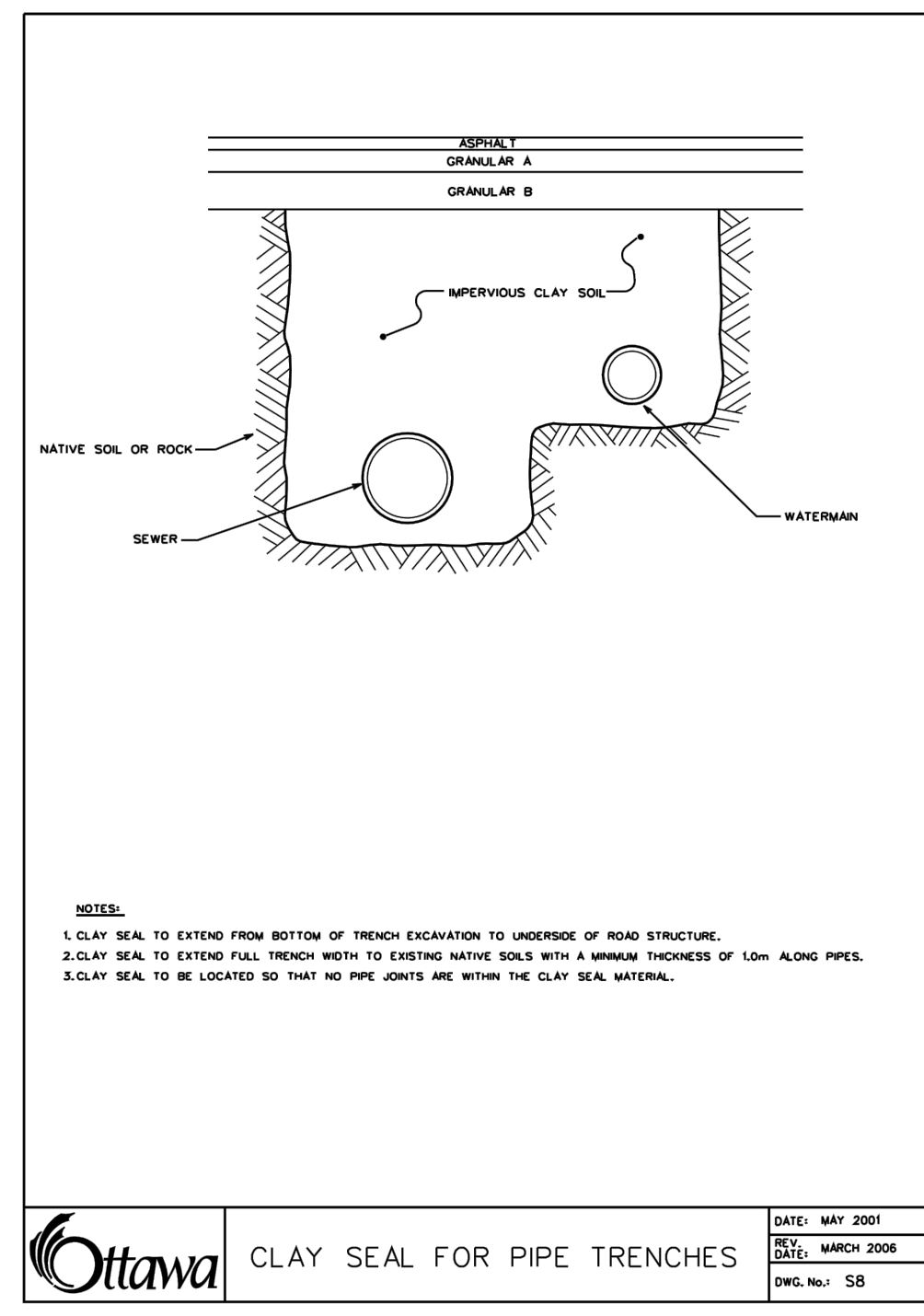
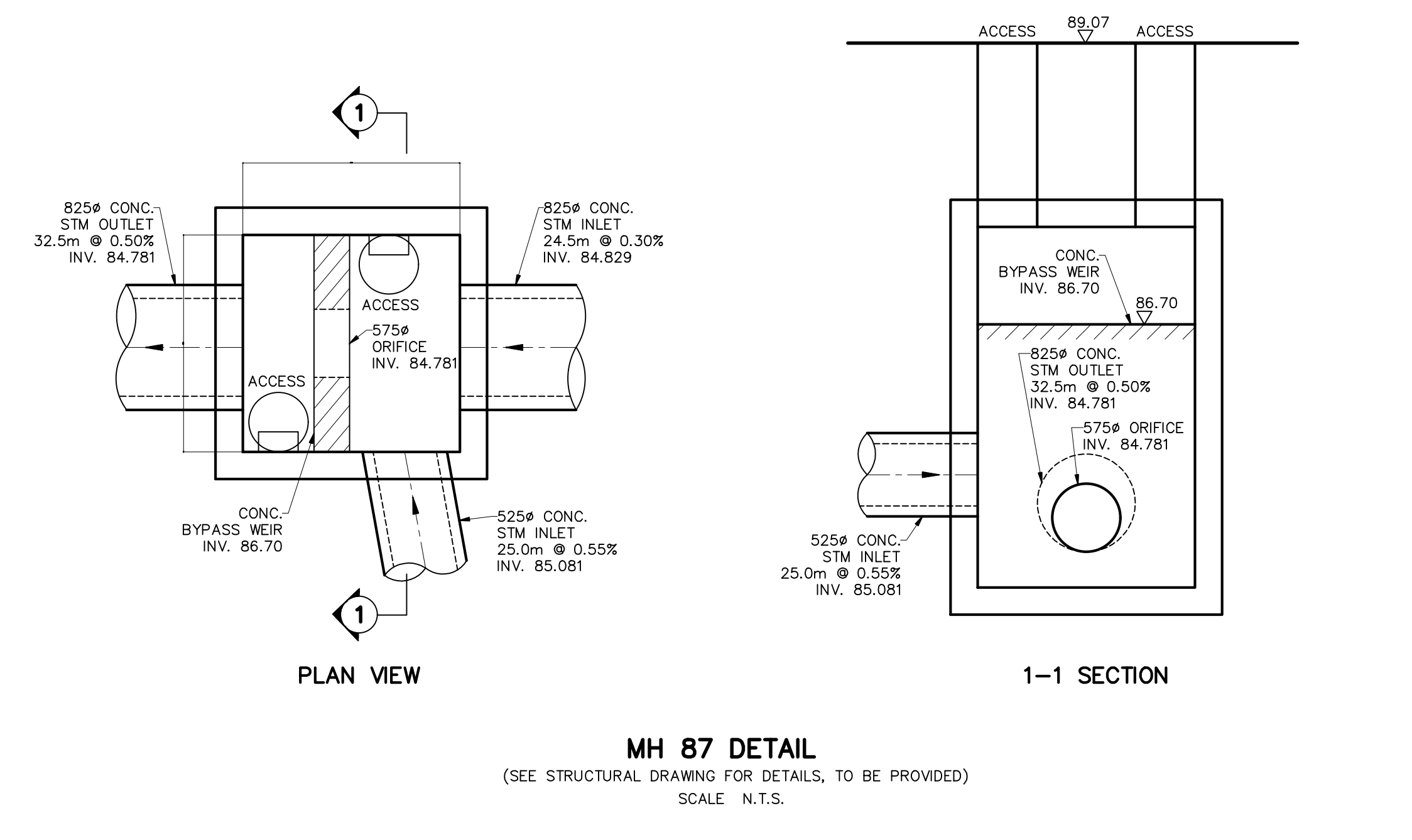
Ottawa WATERMAIN CROSSING OVER SEWER
DATE: MAY 2001
REV: MARCH 2013
DWG. No.: W25.2



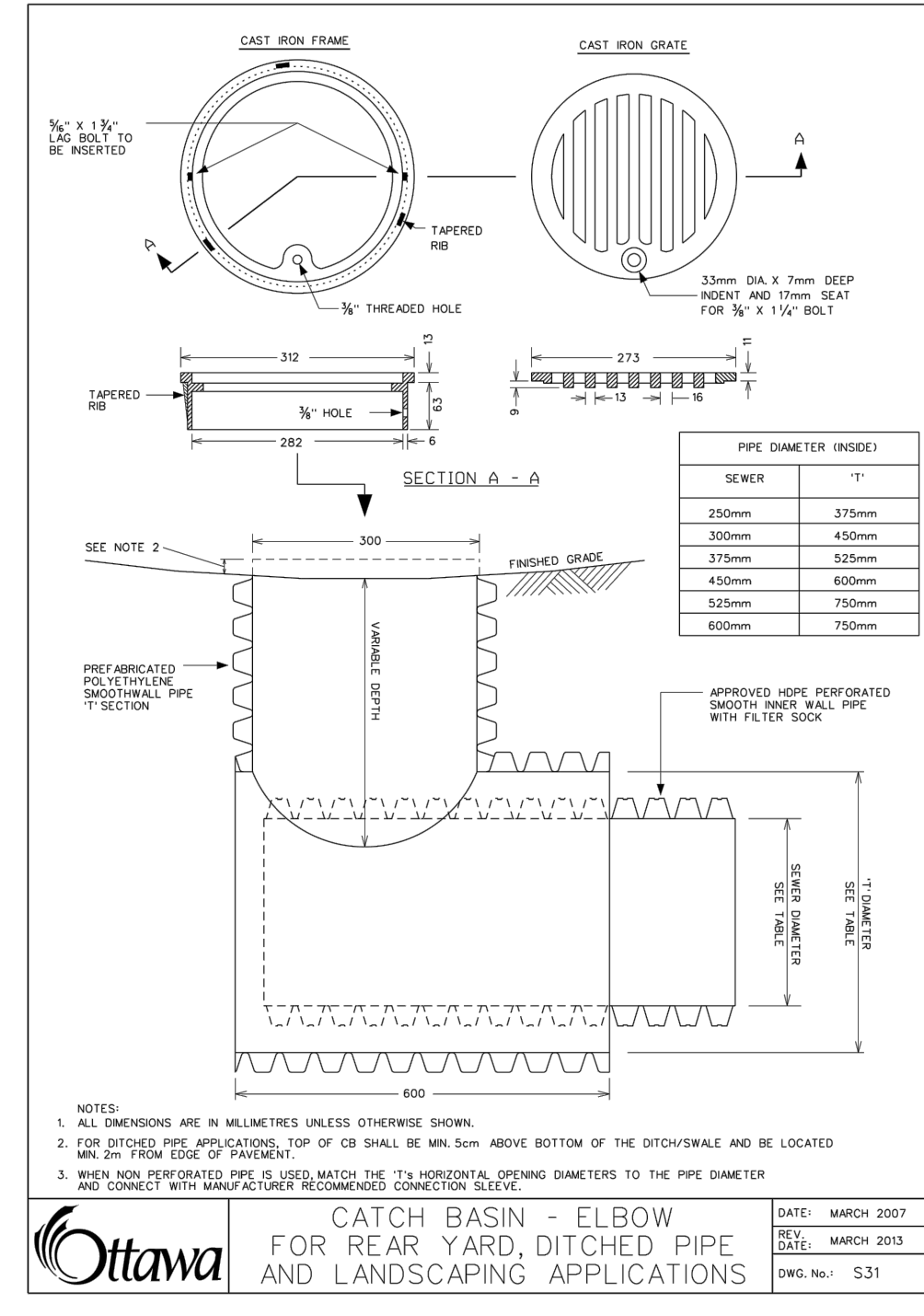
Ottawa WATERMAIN CROSSING BELOW SEWER
DATE: MAY 2001
REV: MARCH 2013
DWG. No.: W25



Ottawa CATCH BASIN - 'T' FOR REAR YARD, DITCHED PIPE AND LANDSCAPING APPLICATIONS
DATE: MARCH 2007
REV: MARCH 2013
DWG. No.: 530



Ottawa CLAY SEAL FOR PIPE TRENCHES
DATE: MAY 2001
REV: MARCH 2006
DWG. No.: 58



Ottawa CATCH BASIN - ELBOW FOR REAR YARD, DITCHED PIPE AND LANDSCAPING APPLICATIONS
DATE: MARCH 2007
REV: MARCH 2013
DWG. No.: 531

NOT FOR CONSTRUCTION

TOPOGRAPHIC INFORMATION
TOPOGRAPHIC INFORMATION PROVIDED BY J.D. BARNES LIMITED
PROJECT No. 16-10-116-00. SURVEYS DATED NOVEMBER 30, 2017.
PROJECT No. 16-10-116-00_P2. SURVEYS DATED SEPTEMBER 27, 2019.
PROJECT No. 22-10-030-01. SURVEYS DATED JUNE 21, 2023.

SITE PLAN INFORMATION
SITE PLAN PROVIDED BY G4 ARCHITECTS, DATED ON MARCH 20, 2025.

ELEVATION NOTE
ELEVATIONS ARE GEODETIC AND ARE DERIVED FROM SITE BENCHMARK NCC CONTROL POINT 001196530229.
ELEVATION = 86.12 m

No.	BY	DATE	DESCRIPTION
2	S.L.M.	2025-04-02	DRAFT - ISSUED FOR ZONING BY-LAW AMENDMENT
1	S.L.M.	2024-08-30	1st SUBMISSION

Ottawa CITY OF OTTAWA

PROJECT No. 24-1403

CAIVAN (ORLEANS VILLAGE 2) LTD. ORLEANS VILLAGE PHASE 4

DSEL
120 Irbey Road, Unit 103
Stittsville, ON K2S 1E9
Tel: (613) 836-0856
Fax: (613) 836-7153
www.DSEL.ca

DETAILS © DSEL

DRAWN BY: C.P.B.	CHECKED BY: S.L.M.	SHEET No.
DESIGNED BY: C.P.B.	CHECKED BY: S.L.M.	3 OF 25
SCALE: AS SHOWN	DATE: AUGUST 2024	

CITY PLAN No. ###
CITY FILE No. _D07-12-24-0103