

GENERAL NOTES:

- 1. ALL WORKS AND MATERIALS SHALL CONFORM TO THE LATEST REVISIONS OF THE STANDARDS AND SPECIFICATIONS OF THE CITY OF OTTAWA, AND ONTARIO PROVINCIAL STANDARD DRAWINGS (OPSD) AND SPECIFICATIONS (OPSS), AS AMENDED BY THE CITY OF OTTAWA.
2. THE CONTRACTOR SHALL CONFIRM THE LOCATION OF ALL EXISTING UTILITIES WITHIN THE SITE AND ADJACENT WORK AREAS. THE CONTRACTOR SHALL BE RESPONSIBLE FOR PROTECTING ALL EXISTING UTILITIES TO THE SATISFACTION OF THE AUTHORITY HAVING JURISDICTION. THE CONTRACTOR SHALL BE RESPONSIBLE FOR REPAIR OR REPLACEMENT OF ANY SERVICES OR UTILITIES DISTURBED DURING CONSTRUCTION, TO THE SATISFACTION OF THE AUTHORITY HAVING JURISDICTION.
3. ALL DIMENSIONS SHALL BE CHECKED AND VERIFIED IN THE FIELD BY THE CONTRACTOR PRIOR TO THE START OF CONSTRUCTION. ANY DISCREPANCIES SHALL BE REPORTED IMMEDIATELY TO THE ENGINEER.
4. ANY AREAS BEYOND THE LIMIT OF THE SITE DISTURBED DURING CONSTRUCTION SHALL BE RESTORED TO ORIGINAL CONDITION OR BETTER TO THE SATISFACTION OF THE AUTHORITY HAVING JURISDICTION AT THE CONTRACTORS EXPENSE.
5. RELOCATION OF EXISTING SERVICES AND/OR UTILITIES SHALL BE AS SHOWN ON THE DRAWINGS OR AS DIRECTED BY THE ENGINEER AT THE EXPENSE OF THE DEVELOPER.
6. ALL WORK SHALL BE COMPLETED IN ACCORDANCE WITH THE "OCCUPATIONAL HEALTH AND SAFETY ACT AND REGULATIONS FOR CONSTRUCTION PROJECTS". THE GENERAL CONTRACTOR SHALL BE DEEMED TO BE THE CONTRACTOR AS DEFINED IN THE ACT.
7. ALL CONSTRUCTION SIGNING MUST CONFORM TO THE M.T.O. MANUAL OF UNIFORM TRAFFIC CONTROL DEVICES (LATEST AMENDMENT).
8. ALL DIMENSIONS ARE IN METERS UNLESS OTHERWISE SPECIFIED.
9. THE SUPPORT OF ALL UTILITIES SHALL BE IN ACCORDANCE WITH THE REQUIREMENTS OF THE AUTHORITY HAVING JURISDICTION.
10. THERE WILL BE NO SUBSTITUTION OF MATERIALS UNLESS PRIOR WRITTEN APPROVAL BY THE DIRECTOR OF ENGINEERING HAS BEEN OBTAINED.
11. ALL SEWERS CONSTRUCTED WITH GRADES 0.50% OR LESS, SHALL BE INSTALLED WITH LASER AND CHECKED WITH LEVEL INSTRUMENT PRIOR TO BACKFILLING.
12. THE CONTRACTOR WILL BE RESPONSIBLE FOR ADDITIONAL BEDDING OR ADDITIONAL STRENGTH PIPE IF THE MAXIMUM TRENCH WIDTH, AS SPECIFIED BY OPSD, IS EXCEEDED.
13. ALL PIPE / CULVERT / SECTION SIZES REFER TO INSIDE DIMENSIONS.
14. SHOULD DEEPLY BURIED ARCHAEOLOGICAL REMAINS BE FOUND ON THE PROPERTY DURING CONSTRUCTION ACTIVITIES, THE HERITAGE OPERATIONS UNIT OF THE ONTARIO MINISTRY OF CULTURE MUST BE NOTIFIED IMMEDIATELY.
15. STREET LIGHTING TO CITY OF OTTAWA STANDARDS.
16. ALL NECESSARY CLEARING AND GRUBBING SHALL BE COMPLETED BY THE CONTRACTOR. REVIEW WITH CONTRACT ADMINISTRATOR AND THE CITY OF OTTAWA PRIOR TO ANY TREE CUTTING.
17. CONTRACTOR SHALL PERFORM LEAKAGE TESTING, IN THE PRESENCE OF THE CONSULTANT, FOR SANITARY SEWERS IN ACCORDANCE WITH OPSS 410 AND OPSS 407. CONTRACTOR SHALL PERFORM VIDEO INSPECTION OF ALL STORM AND SANITARY SEWERS. A COPY OF THE VIDEO AND INSPECTION REPORT SHALL BE SUBMITTED TO THE CONSULTANT FOR REVIEW.
18. THE CLAY SEALS TO BE INSTALLED AS PER CITY STANDARD DRAWING NO. S8. THE SEALS SHOULD BE AT LEAST 1.5m LONG (IN THE TRENCH DIRECTION) AND SHOULD EXTEND FROM TRENCH WALL TO TRENCH WALL. GENERALLY, THE SEALS SHOULD EXTEND FROM THE FROST LINE AND FULLY PENETRATE THE BEDDING, SUBBEDDING AND COVER MATERIAL. THE BARRIERS SHOULD CONSIST OF RELATIVELY DRY AND COMPACTABLE BROWN SILTY CLAY PLACED IN MAXIMUM 225mm THICK LOOSE LAYERS COMPACTED TO A MINIMUM OF 95% OF THE MATERIAL'S SPMD. THE CLAY SEALS SHOULD BE PLACED AT THE SITE BOUNDARIES AND AT STRATEGIC LOCATIONS AT NO MORE THAN 60m INTERVALS IN THE SERVICE TRENCHES.
19. AS PER GEOTECHNICAL CONSULTANT'S RECOMMENDATIONS, THE CLAY SEAL IS ONLY REQUIRED WITHIN THE GRANULAR MATERIAL SURROUNDING THE PIPE. THE EXCAVATED SILTY CLAY WILL BE REUSED AS TRENCH BACKFILL WHICH WILL ACT AS A CLAY SEAL.
20. AS PER GEOTECHNICAL CONSULTANT'S RECOMMENDATIONS, AT LEAST 150mm OF OPSS GRANULAR A SHOULD BE USED FOR PIPE BEDDING FOR SEWER AND WATER PIPES. WHERE THE INVERT OF THE EXCAVATION IS BELOW THE STIFF CRUST AND INTO THE GREY SILTY CLAY, THE THICKNESS OF THE BEDDING SHOULD BE INCREASED TO 300mm. THE BEDDING SHOULD EXTEND TO THE SPRING LINE OF THE PIPE. COVER MATERIAL, FROM THE SPRING LINE TO AT LEAST 300mm ABOVE THE OVERT OF THE PIPE SHOULD CONSIST OF OPSS GRANULAR A. THE BEDDING AND COVER MATERIALS SHOULD BE PLACED IN MAXIMUM 300mm THICK LIFTS COMPACTED TO A MINIMUM OF 95% OF THE MATERIAL'S SPMD.
21. FOR HOUSE CONNECTIONS INSTALLED UNDER STEPS AND PORCHES, SLEEVE SHALL BE USED.

STORM NOTES:

- 1. ALL REINFORCED CONCRETE STORM SEWER PIPE SHALL BE IN ACCORDANCE WITH CSA A257.2 (LATEST AMENDMENT). ALL NON-REINFORCED CONCRETE STORM SEWER PIPE SHALL BE IN ACCORDANCE WITH CSA A257.1 (LATEST AMENDMENT). PIPE SHALL BE JOINTED WITH STD. RUBBER GASKETS AS PER CSA A257.3 (LATEST AMENDMENT).
2. ALL STORM SEWER TRENCH AND BEDDING SHALL BE IN ACCORDANCE WITH CITY OF OTTAWA STD. S6 AND S7 CLASS 'B' UNLESS OTHERWISE SPECIFIED. BEDDING AND COVER MATERIAL SHALL BE SPECIFIED BY PROJECT GEOTECHNICAL ENGINEER.
3. ALL PVC STORM SEWERS ARE TO BE SDR 35 APPROVED PER C.S.A. B182.2 OR LATEST AMENDMENT, UNLESS OTHERWISE SPECIFIED.
4. ALL STORM LATERALS SHALL BE PVC SDR 28, WHITE IN COLOR AND MARKED WITH A 50mm x 100mm WOODEN MARKER EXTENDING FROM THE INVERT TO 1.0m ABOVE GRADE PAINTED GREEN. HOUSE CONNECTIONS SHALL BE 2.0 m MIN. BELOW FINISHED GRADE AT STREET LINE WHERE POSSIBLE. SINGLE CONNECTIONS SHALL BE 100mm DIA..
5. STORM MANHOLE FRAME AND COVERS SHALL BE AS PER CITY OF OTTAWA STD. S24.1 AND S25.
6. SAFETY PLATFORMS SHALL BE IN ACCORDANCE WITH OPSD 404.02.
7. DROP STRUCTURES SHALL BE IN ACCORDANCE WITH CITY OF OTTAWA SPECIFICATIONS AND OPSD 1003.01.
8. STORM SEWER MANHOLES SERVING LOCAL SEWERS LESS THAN 900mm SHALL BE CONSTRUCTED WITH A 300mm SUMP. FOR STORM SEWERS 900mm AND OVER USE BENCHING IN ACCORDANCE WITH OPSD 701.021.
9. SINGLE AND DOUBLE CATCHBASINS SHALL BE IN ACCORDANCE WITH CITY OF OTTAWA STD. S1, AND OPSD 705.020, RESPECTIVELY. FRAMES AND GRATE SHALL BE AS PER CITY OF OTTAWA STD. S19.1 FOR REAR LOT CATCHBASINS AND STREET CATCHBASINS.
10. CURB INLET TYPE CATCH BASIN (CIB) SHALL BE USED IN SPECIFIC LOCATIONS IN ACCORDANCE WITH CITY OF OTTAWA STD. S3. FRAME AND GRATE SHALL BE AS PER CITY OF OTTAWA STD. S22 AND S23, UNLESS OTHERWISE NOTED.
11. SINGLE AND DOUBLE CATCHBASIN LEADS SHALL BE 200mm DIA (MIN.), AT 1.0% SLOPE (MIN.), UNLESS OTHERWISE NOTED. WHERE REAR LOT CATCHBASINS CONNECT TO STREET CATCHBASINS, SINGLE AND DOUBLE CATCHBASIN LEADS SHALL BE 250mm DIA (MIN.), AT 1.0% SLOPE (MIN.), UNLESS OTHERWISE NOTED. CB LEAD OUT INVERT TO BE SET 1.38m BELOW TOP OF GRATE ELEVATION UNLESS OTHERWISE NOTED.
12. ALL STREET CATCHBASINS/CATCHBASIN MANHOLES SHALL HAVE 1200mm SUMPS, AND ALL REAR YARD CATCHBASINS (OPSD 705.010) SHALL HAVE 300mm SUMPS UNLESS OTHERWISE NOTED. REAR YARD LANDSCAPE CATCHBASINS TO BE SUMPLESS.
13. CONTRACTOR SHALL ENSURE THAT CATCHBASINS ARE INSTALLED AT THE LOW POINT OF SAG CURB WORKS.
14. THE STORM SEWER CLASSES HAVE BEEN DESIGNED BASED ON BEDDING CONDITIONS SPECIFIED ABOVE. WHERE THE SPECIFIED TRENCH WIDTH IS EXCEEDED, THE CONTRACTOR SHALL BE REQUIRED TO PROVIDE ADDITIONAL BEDDING, A DIFFERENT TYPE OF BEDDING OR A HIGHER PIPE STRENGTH AT THEIR OWN EXPENSE AND SHALL ALSO BE RESPONSIBLE FOR EXTRA TEMPORARY AND/OR PERMANENT REPAIRS MADE NECESSARY BY THE WIDENED TRENCH.
15. THE MINIMUM DIAMETER FOR REAR LOT PERFORATED PIPE IS 250mm, REFER TO CITY STD. S29 FOR DETAIL, UNLESS OTHERWISE NOTED.
16. FOR TWO OR MORE REAR LOT CATCH BASINS CONNECTED IN SERIES, THE LEAD FROM THE LAST REAR LOT CB TO THE STORM SEWER SHALL BE SOLID PIPE.
17. ALL STORM SEWERS WITH LESS THAN 2.0m COVER TO BE INSULATED PER CITY STANDARDS. SEE DWG 1 FOR DETAIL AND MINIMUM THICKNESS RELATIVE TO PROVIDED COVER.

SANITARY NOTES:

- 1. ALL SANITARY SEWER INSTALLATION SHALL CONFORM TO THE LATEST REVISIONS OF THE CITY OF OTTAWA AND THE ONTARIO PROVINCIAL STANDARD DRAWINGS (OPSD) AND SPECIFICATIONS (OPSS) AS AMENDED BY THE CITY OF OTTAWA.
2. ALL SANITARY SEWERS SHALL BE PVC SDR 35, IPEX "RING-TITE" (OR EQUIVALENT), AS PER CSA STANDARD B182.2 OR LATEST AMENDMENT, UNLESS OTHERWISE NOTED.
3. SANITARY SEWER TRENCH AND BEDDING SHALL BE AS PER CITY OF OTTAWA STD. S6 AND S7, CLASS 'B' BEDDING UNLESS OTHERWISE NOTED. BEDDING AND COVER MATERIAL SHALL BE SPECIFIED BY PROJECT GEOTECHNICAL ENGINEER.
4. ALL SANITARY LATERALS ARE TO BE PVC SDR 28, IPEX "RING-TITE" (OR EQUIVALENT), ANY COLOR EXCEPT WHITE AND MARKED WITH A 50mm x 100mm WOODEN MARKER, EXTENDING FROM THE INVERT TO 1.0 m ABOVE GRADE PAINTED RED. HOUSE CONNECTIONS SHALL BE 2.75m BELOW FINISHED GRADE AT STREET LINE WHERE POSSIBLE. SINGLE CONNECTIONS SHALL BE 135mm DIA..
5. SANITARY MANHOLE FRAME AND COVERS SHALL BE AS PER CITY OF OTTAWA STD. S24 AND S25.
6. SAFETY PLATFORMS SHALL BE AS PER OPSD 404.02.
7. DROP STRUCTURES SHALL BE IN ACCORDANCE WITH CITY OF OTTAWA SPECIFICATIONS AND OPSD 1003.01.
8. SANITARY SEWER MANHOLES SHALL BE BENCHED AS PER OPSD 701.021.
9. FOR SANITARY MANHOLES, DEPENDING ON THE ELEVATION OF THE GROUNDWATER TABLE, AND SUBJECT TO THE RECOMMENDATION OF THE PROJECT GEOTECHNICAL CONSULTANT, CRETEX SEALS, OR A SIMILAR PRODUCT, SHALL BE INSTALLED IN THE FIRST PRE-CAST MANHOLE SECTION TO JUST BELOW THE MANHOLE FRAME TO PREVENT INFILTRATION.
10. ENHANCED LEAK TESTING WILL BE REQUIRED FOR ALL SANITARY MANHOLES
11. SANITARY MANHOLE FRAME AND COVERS SHALL BE AS PER CITY OF OTTAWA STD. S24 AND S25, EXCEPT FOR WHERE IN PONDING AREAS, WHERE WATERTIGHT FRAME AND COVERS SHALL BE EAST JORDAN CAMPRESSION 41420049W01 AS PER CITY OF OTTAWA MS-22.15 (OR APPROVED EQUIVALENT)
12. THE OWNER AGREES TO DESIGN AND CONSTRUCT ALL SEWER LINES AND MANHOLES LOCATED, PARTIALLY OR ENTIRELY WITHIN 100 m OF ANY MUNICIPAL WELL, TO BE CAPABLE OF WITHSTANDING PRESSURE TESTING TO PSI PRIOR TO ISSUANCE OF BUILDING PERMITS, ALL AT THE COST TO THE OWNER. AS PART OF THE DESIGN SUBMISSION DISCUSSION OF HOW TESTING IS TO BE PERFORMED SHALL BE INCLUDED. THE PROPOSED TESTING WITHOUT THE SERVICE LATERAL SHALL BE CONSIDERED.

WATER NOTES:

- 1. ALL WATERMAIN INSTALLATION SHALL CONFORM TO THE LATEST REVISIONS OF THE CITY OF OTTAWA AND THE ONTARIO PROVINCIAL STANDARD DRAWINGS (OPSD) AND SPECIFICATIONS (OPSS) AS AMENDED BY THE CITY OF OTTAWA.
2. ALL PVC WATERMANS SHALL BE EQUAL TO ANWA C-900 CLASS 150, SDR 18.
3. WATERMAIN TRENCH AND BEDDING SHALL BE IN ACCORDANCE WITH CITY OF OTTAWA STANDARD W17, UNLESS OTHERWISE SPECIFIED. BEDDING AND COVER MATERIAL SHALL BE SPECIFIED BY PROJECT GEOTECHNICAL ENGINEER.
4. ALL PVC WATERMANS SHALL BE INSTALLED WITH A 10 GAUGE STRANDED COPPER TWU OR RWU TRACER WIRE IN ACCORDANCE WITH CITY OF OTTAWA STD. W36.
5. WATER SERVICES ARE TO BE TYPE K SOFT COPPER AS PER CITY OF OTTAWA STD. W26 UNLESS OTHERWISE SPECIFIED. SINGLE SERVICES SHALL BE 19mm DIA, PEV. WATER SERVICES SHALL BE MARKED WITH A "50mm x 100mm", EXTENDING FROM THE INVERT TO 1.0m ABOVE GRADE PAINTED BLUE. CURB STOPS SHALL BE INSTALLED AT THE PROPERTY LINE.
6. CATHODIC PROTECTION IS REQUIRED ON ALL METALLIC FITTINGS AS PER CITY OF OTTAWA STD. W40 AND W42.
7. CONTRACTOR TO SUPPLY HYDRANT EXTENSION TO ADJUST THE LENGTH OF HYDRANT BARREL AS REQUIRED.
8. FIRE HYDRANTS SHALL BE INSTALLED AS PER CITY OF OTTAWA STD. W19, AND LOCATED AS PER CITY STD. W18.
9. VALVE IN BOXES SHALL BE INSTALLED AS PER CITY OF OTTAWA STD. W24.
10. 50mm DIAMETER WATERMANS SHALL BE TYPE 'X' COPPER TUBING. WATERMAIN INSTALLATION IN CUL-DE-SAC TO BE INSTALLED AS PER CITY OF OTTAWA STD. W37.
11. WATERMAIN IN FILL AREAS TO BE INSTALLED WITH RESTRAINED JOINTS AS PER CITY OF OTTAWA STD. W25.5 AND W25.6.
12. THRUST BLOCKING OF WATERMAIN TO BE INSTALLED AS PER CITY OF OTTAWA STD. W25.3 AND W25.4.
13. THE CONTRACTOR SHALL PROVIDE ALL TEMPORARY CAPS, PLUGS AND BLOW-OFFS AND NOZZLES REQUIRED FOR TESTING AND DISINFECTION OF THE WATERMAIN.
14. INSULATION FOR WATERMAIN CROSSING OVER AND BELOW SEWER SHOULD BE IN ACCORDANCE WITH CITY OF OTTAWA STD. W25.2 AND W25, RESPECTIVELY, WHERE WATERMAIN COVER IS LESS THAN 2.4m.
15. WHERE THE SEPARATION BETWEEN SERVICES AND MANHOLES IS LESS THAN 1.2m, WATER SERVICES ARE TO BE INSULATED AS PER CITY STD. W23.
16. AS PER MOE GUIDELINE, THE MINIMUM VERTICAL CLEARANCE BETWEEN WATERMAIN AND SEWER / UTILITY IS 0.50m. FOR CROSSING UNDER SEWER, ADEQUATE STRUCTURAL SUPPORT FOR THE SEWERS IS REQUIRED TO PREVENT EXCESSIVE DEFLECTION OF JOINTS AND SETTLING. THE LENGTH OF WATER PIPE SHALL BE CENTRED AT THE POINT OF CROSSING SO THAT THE JOINTS WILL BE EQUIDISTANT AND AS FAR AS POSSIBLE FROM THE SEWER.

ROADWORK NOTES:

- 1. ALL TOPSOIL AND ORGANIC MATERIAL SHALL BE STRIPPED WITHIN THE ROAD ALLOWANCE PRIOR TO THE COMMENCEMENT OF CONSTRUCTION.
2. CONCRETE CURB SHALL BE IN ACCORDANCE WITH CITY OF OTTAWA STD. SC1.1 (BARRIER CURB) AND SC1.3 (MOUNTABLE CURB). PROVISION SHALL BE MADE FOR CURB DEPRESSIONS AT SIDEWALKS AND DRIVEWAYS.
3. ROAD SUBDRAINS SHALL BE REFERENCE TO R1, AS SUGGESTED IN RG4683-2, SUBDRAIN INVERTS TO BE APPROXIMATELY 300mm BELOW SUBGRADE LEVEL.
4. CONCRETE SIDEWALK SHALL BE IN ACCORDANCE WITH CITY OF OTTAWA STD. SC3 AND SC1.4.
5. PAVEMENT REINSTATEMENT FOR SERVICE AND UTILITY CUTS SHALL BE IN ACCORDANCE WITH CITY OF OTTAWA STD. R10 AND OPSD 509.010, OPSS 310.
6. GRANULAR "A" SHALL BE PLACED TO A MINIMUM THICKNESS OF 300mm AROUND ALL STRUCTURES WITHIN PAVEMENT AREA.
7. ALL GRANULAR FOR ROADS SHALL BE COMPACTED TO A MINIMUM OF 98% STANDARD PROCTOR DENSITY.
8. ASPHALT WEAR COURSE SHALL NOT BE PLACED UNTIL THE VIDEO INSPECTION OF SEWERS & NECESSARY REPAIRS HAVE BEEN CARRIED OUT TO THE SATISFACTION OF THE CONSULTANT.
9. SUB-EXCAVATE SOFT AREAS AND FILL WITH GRANULAR 'B' COMPACTED IN MAXIMUM 300 mm LIFTS.
10. PEDESTRIAN CURB RAMP WITH BOULEVARD SHALL BE IN ACCORDANCE WITH CITY OF OTTAWA STD. SC7.
11. PAVEMENT DESIGN TYPE ACCESS LANES & HEAVY DUTY TRUCK PARKING - 40mm SUPERPAVE 12.5 ASPHALTIC CONCRETE - 50mm SUPERPAVE 19.0 ASPHALTIC CONCRETE - 150mm OPSS GRANULAR A CRUSHED STONE - 450mm OPSS GRANULAR B TYPE II - SUBGRADE DRIVEWAYS AND PARKING AREAS - 50mm HL-3 OR SUPERPAVE 12.5 ASPHALTIC CONCRETE - 150mm OPSS GRANULAR A CRUSHED STONE - 300mm GRANULAR B TYPE II - SUBGRADE

GRADING NOTES:

- 1. A FLAT AREA HAVING A WIDTH OF 0.6m SHALL BE PROVIDED AT THE BOUNDARY LIMITS ADJACENT TO DEVELOPED PROPERTIES IN ORDER THAT THE EXISTING BOUNDARY ELEVATIONS SHALL BE MAINTAINED.
2. ALL ROOF DOWNSPOUTS SHALL DISCHARGE TO THE GROUND ONTO SPLASH PADS AND SHALL NOT BE CONNECTED TO THE STORM SEWER, OR THE BUILDING FOUNDATION DRAIN.
3. ALL WORK SHALL BE COMPLETED IN ACCORDANCE WITH THE "OCCUPATIONAL HEALTH AND SAFETY ACT AND REGULATIONS FOR CONSTRUCTION PROJECTS." THE GENERAL CONTRACTOR SHALL BE DESIGNATED AS THE CONSTRUCTOR AS DEFINED IN THE ACT.
4. PRIOR TO THE COMMENCEMENT OF THE SITE GRADING WORKS, ALL SILTATION CONTROL DEVICES SHALL BE INSTALLED AND OPERATIONAL. THE CONTRACTOR SHALL MAINTAIN ALL WORKS UNTIL SERVING CONSTRUCTION IS COMPLETED TO THE SATISFACTION OF THE ENGINEER AND THE CITY OF OTTAWA.
5. ALL SWALES SHALL BE 0.15m DEEP WITH 3:1 SIDE SLOPES UNLESS OTHERWISE INDICATED. THE MINIMUM LONGITUDINAL SLOPE IS 1% AND 1.5% WITH INSTALLATION OF SUBDRAIN OR WITHOUT, RESPECTIVELY.
6. TOP OF GRATE (T/G) ELEVATIONS FOR ALL STREET CATCHBASINS SHOWN ON PLANS, REFER TO THE ELEVATIONS AT GUTTER OR EDGE OF PAVEMENT, WHERE APPLICABLE.

EROSION AND SEDIMENT CONTROL NOTES:

- 1. PRIOR TO TOPSOIL STRIPPING, EARTHWORKS, OR UNDERGROUND CONSTRUCTION, EROSION AND SEDIMENT CONTROLS SHALL BE IMPLEMENTED TO THE SATISFACTION OF THE AUTHORITY HAVING JURISDICTION.
2. SEDIMENT CONTROL FENCE SHALL BE CLEANED AND MAINTAINED IN GOOD REPAIR BY CONTRACTOR.
3. SEDIMENT CONTROL FENCE TO REMAIN IN PLACE UNTIL THE WORKING AREA HAS BEEN STABILIZED AND REVEGETATED.
4. ACCUMULATED SEDIMENT TO BE REMOVED OFF SITE PRIOR TO THE REMOVAL OF SEDIMENT CONTROL FENCE.
5. CONTRACTOR TO INSTALL AND MAINTAIN MUD MAT AT CONSTRUCTION ACCESS IN ORDER TO PREVENT MUD TRACKING ONTO ADJACENT ROADS. MUD MAT TO BE MINIMUM 30m LONG AND 10.0m WIDE AND SHALL CONSIST OF 0.3m OF 50mm CLEAR STONE.

GEOTECHNICAL REPORT/MEMO:

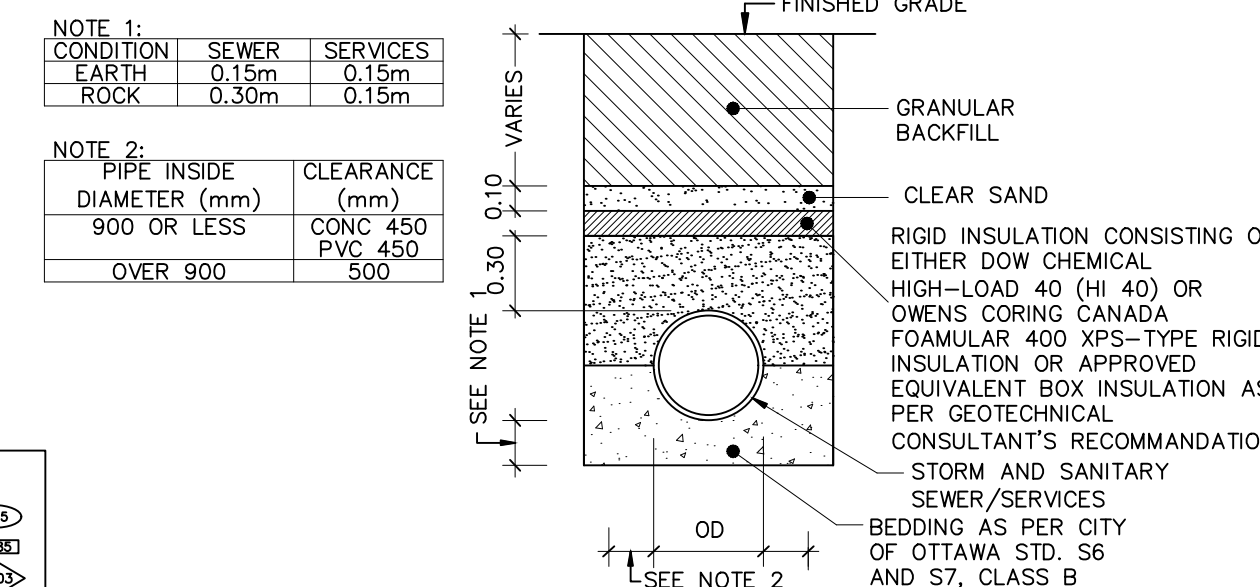
1. REFER TO: - GEOTECHNICAL INVESTIGATION REPORT NO. PG6152-1, REV 1, DATED APRIL 1, 2022, PREPARED BY PATERSON GROUP INC.

INFORMATION PRESENTED ON THESE DRAWINGS HAS BEEN INTERPOLATED FROM THE GEOTECHNICAL REPORTS AND ACCURACY IS NOT GUARANTEED. CONTRACTORS ARE ADVISED TO READ THE GEOTECHNICAL REPORTS AND ASSUME THEIR OWN CONCLUSIONS.

SPILLS CONTROL NOTES:

- 1. ALL CONSTRUCTION EQUIPMENT SHALL BE REFUELED, MAINTAINED AND STORED NO LESS THAN 30 METERS FROM THE WATERCOURSES, STREAMS, CREEKS, WOODLOTS AND ANY ENVIRONMENTALLY SENSITIVE AREAS, OR AS OTHERWISE SPECIFIED.
2. THE CONTRACTOR MUST IMPLEMENT ALL NECESSARY MEASURES IN ORDER TO PREVENT LEAKS, DISCHARGES OR SPILLS OF POLLUTANTS, DELETERIOUS MATERIALS, OR OTHER SUCH MATERIALS OR SUBSTANCES WHICH WOULD OR COULD CAUSE AN ADVERSE IMPACT TO THE NATURAL ENVIRONMENT.
3. IN THE EVENT OF A LEAK, DISCHARGE OR SPILL OF A POLLUTANT, DELETERIOUS MATERIAL OR OTHER SUCH MATERIAL OR SUBSTANCE WHICH WOULD OR COULD CAUSE AN ADVERSE IMPACT TO THE NATURAL ENVIRONMENT, THE CONTRACTOR SHALL: a) IMMEDIATELY NOTIFY THE APPROPRIATE FEDERAL, PROVINCIAL AND LOCAL GOVERNMENT MINISTRIES, DEPARTMENTS, AGENCIES AND AUTHORITIES OF THE INCIDENT IN ACCORDANCE WITH ALL CURRENT LAWS, LEGISLATION, ACTS, BY-LAWS, PERMITS, APPROVALS, ETC. b) TAKE IMMEDIATE MEASURES TO CONTAIN THE MATERIAL OR SUBSTANCE, AND TO TAKE SUCH MEASURES AS THEY DEEM APPROPRIATE TO MITIGATE AGAINST THE ANY ADVERSE IMPACTS TO THE NATURAL ENVIRONMENT. c) THE CONTRACT SHALL RESTORE THE AFFECTED AREA TO ORIGINAL CONDITION OR BETTER, ALL TO THE SATISFACTION OF THE AUTHORITIES HAVING JURISDICTION.

CITY OF OTTAWA SEWER AND WATERMAIN INSULATION CALCULATION OF THICKNESS OF INSULATION Table with columns for Depth (m), TI (mm), Using TI (mm), and As per City Standard (W22): TI = (2400 - H) / 12



THERMAL INSULATION FOR STORM/SANITARY SERVICES IN SHALLOW TRENCHES

NOT FOR CONSTRUCTION

TOPOGRAPHIC INFORMATION

TOPOGRAPHIC INFORMATION PROVIDED BY J.D. BARNES LIMITED PROJECT No. 16-10-116-00, SURVEYS DATED NOVEMBER 30, 2017. PROJECT No. 16-10-116-00_PH2, SURVEYS DATED SEPTEMBER 27, 2019. PROJECT No. 22-10-030-01, SURVEYS DATED JUNE 21, 2023.

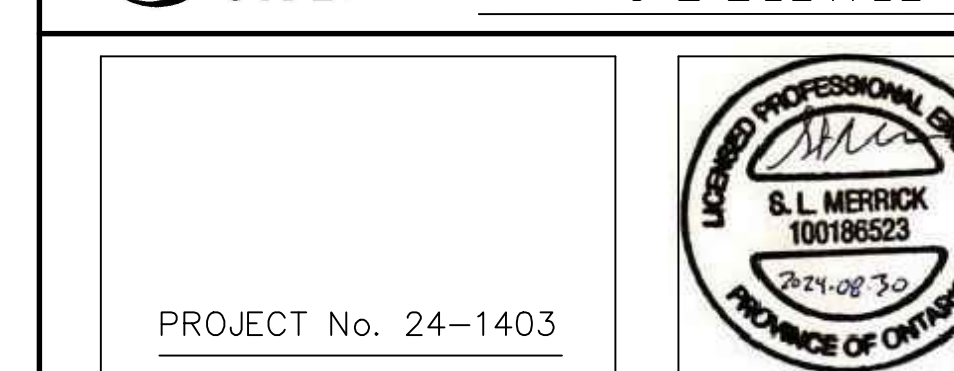
SITE PLAN INFORMATION

SITE PLAN PROVIDED BY G4 ARCHITECTS, DATED ON AUGUST 6, 2024.

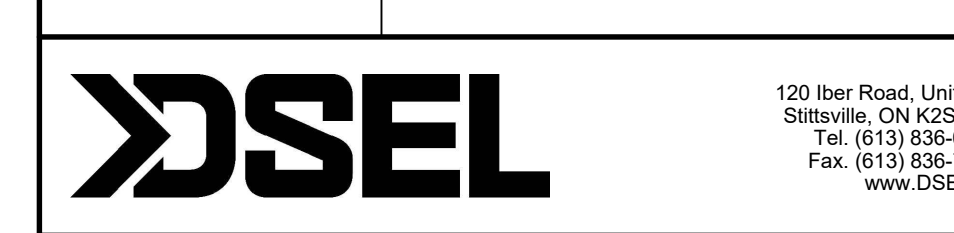
ELEVATION NOTE

ELEVATIONS ARE GEODETIC AND ARE DERIVED FROM SITE BENCHMARK NCC CONTROL POINT 001196530229. ELEVATION = 86.12 m

Table with columns: No., S.L.M., DATE, DESCRIPTION. Row 1: 1, S.L.M., 2024-08-30, 1st SUBMISSION



PROJECT No. 24-1403 CAIVAN (ORLEANS VILLAGE 2) LTD. ORLEANS VILLAGE PHASE 4



GENERAL NOTES

Table with columns: DRAWN BY, CHECKED BY, SHEET NO., DESIGNED BY, CHECKED BY, DATE, SCALE. Row 1: C.P.B., S.L.M., 1 OF 25

CITY PLAN No. ### CITY FILE No. ###