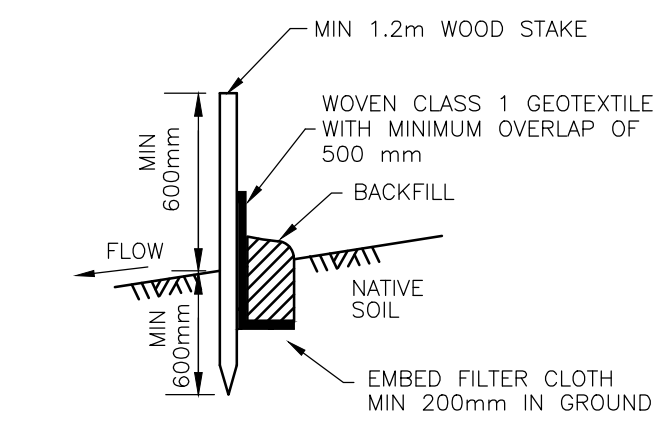


EROSION AND SEDIMENT CONTROLS DURING CONSTRUCTION.

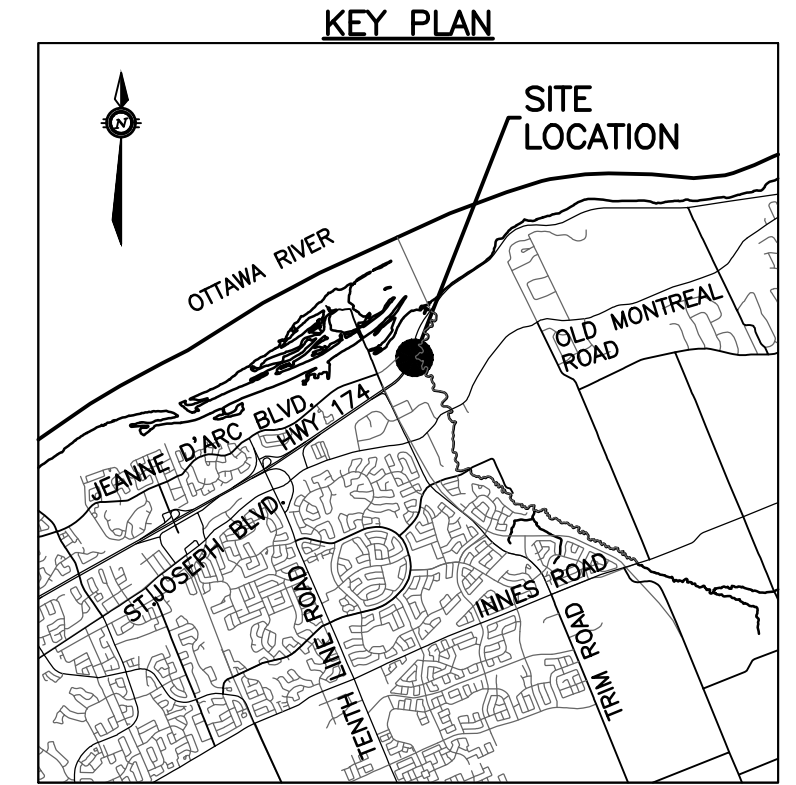
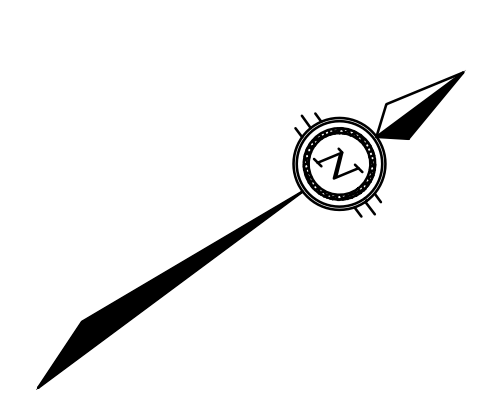
DURING ALL CONSTRUCTION ACTIVITIES, EROSION AND SEDIMENTATION SHALL BE CONTROLLED BY THE FOLLOWING TECHNIQUES:

1. LIMITING THE EXTENT OF EXPOSED SOILS AT ANY GIVEN TIME.
2. REVEGETATION OF EXPOSED AREAS AS SOON AS POSSIBLE.
3. MINIMIZATION OF AREA TO BE CLEARED AND DISRUPTION TO ADJACENT AREAS.
4. INSTALLATION OF FILTER CLOTH BETWEEN FRAME AND COVER ON ALL PROPOSED CATCH BASINS AND CATCH BASIN MANHOLES.
5. A SILT FENCE TO BE INSTALLED 0.3m INSIDE THE SITE PROPERTY LINE TO LOCATIONS SHOWN ON THIS DRAWING.
6. A VISUAL INSPECTION SHALL BE COMPLETED DAILY ON SEDIMENT CONTROL BARRIERS AND ANY DAMAGE REPAIRED IMMEDIATELY. CARE WILL BE TAKEN TO PREVENT DAMAGE DURING CONSTRUCTION OPERATIONS.
7. IN SOME CASES SOME BARRIERS MAY BE REMOVED TEMPORARILY TO ACCOMMODATE THE CONSTRUCTION OPERATIONS. THE AFFECTED BARRIERS WILL BE REINSTATED AT NIGHT WHEN CONSTRUCTION IS COMPLETED.
8. THE SEDIMENT CONTROL DEVICES WILL BE CLEANED OF ACCUMULATED SILT AS REQUIRED. THE DEPOSITS WILL BE DISPOSED OF AS PER THE REQUIREMENTS OF THE CONTRACT.
9. DURING THE COURSE OF CONSTRUCTION IF THE ENGINEER BELIEVES THAT ADDITIONAL PREVENTION METHODS ARE REQUIRED TO CONTROL EROSION AND SEDIMENTATION, THE CONTRACTOR WILL INSTALL ADDITIONAL SILT FENCES OR OTHER METHODS AS REQUIRED TO THE SATISFACTION OF THE ENGINEER.
10. CONSTRUCTION AND MAINTENANCE REQUIREMENTS FOR EROSION AND SEDIMENT CONTROLS TO COMPLY WITH ONTARIO PROVINCIAL STANDARD SPECIFICATION (OPSS) OPSS 805, AND CITY OF OTTAWA SPECIFICATIONS.



LIGHT DUTY SILT FENCE BARRIER
N.T.S.

- NOTES:
1. WOVEN WIRE FENCE TO BE FASTENED SECURELY TO WOOD POSTS WITH WIRE TIES OR STAPLES.
 2. POSTS TO BE SPACED AT 2.3 METRES CENTRE TO CENTRE.
 3. WHEN TWO SECTIONS OF FILTER CLOTH ADJOIN EACH OTHER THEY SHALL BE OVERLAPPED BY A MINIMUM OF 500mm.
 4. MAINTENANCE SHALL BE PERFORMED AS NEEDED AND MATERIAL REMOVED WHEN "BULGES" DEVELOP IN THE SILT FENCE.
 5. WOOD POSTS TO BE HARDWOOD TYPE (50mm x 50mm).
 6. GEOTEXTILE TO BE EMBEDDED 200mm INTO GROUND.
 7. GEOTEXTILE TO CONFORM TO OPSS 805 STANDARDS.
 8. SILT FENCE MUST BE INSTALLED BEFORE COMMENCEMENT OF CONSTRUCTION AND IN ACCORDANCE WITH DETAIL. SILT FENCE CAN BE REMOVED AFTER LANDSCAPING IS COMPLETE.
 9. SEDIMENTS MUST BE CLEARED AWAY WHEN THEY REACH HALF THE HEIGHT OF THE FENCE.



EXISTING LEGEND

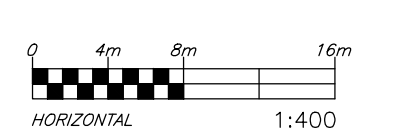
- OH OH OVERHEAD WIRES
- UP UTILITY POLE
- LS LIGHT STANDARD
- CB CATCHBASIN
- CBE CATCHBASIN ELBOW
- CBT CATCHBASIN TEE
- AD AREA DRAIN
- T/G TOP OF GRATE
- GM GAS METER
- MH MANHOLE (SANITARY OR STORM)
- G GAS MAIN
- V&VB VALVE AND VALVE BOX
- V&VC VALVE AND VALVE CHAMBER
- FH FIRE HYDRANT
- EX 250mm SAN STORM SEWER
- EX 300mm STM SANITARY SEWER
- EX 200mm WM WATERMAIN
- TREES
- FENCE
- ORIGINAL GROUND ELEVATION
- EXISTING CONTOUR
- OVERLAND FLOW ROUTE

PROPOSED LEGEND

- 200mm SAN PROPERTY LINE
- 200mm STM SANITARY SEWER
- 200mm WM WATERMAIN
- CLAY SEAL
- STM MH 211 STORM MANHOLE
- SAN MH 104 SANITARY MANHOLE
- CB1 CATCHBASIN
- CBE CATCHBASIN ELBOW
- CBT CATCHBASIN TEE
- AD AREA DRAIN AND DECK DRAIN
- RD ROOF DRAIN
- V&VB VALVE AND VALVE BOX
- V&VC VALVE AND VALVE CHAMBER (W3)
- FH FIRE HYDRANT
- 45° 45° WATERMAIN BEND
- 22° 22.5° WATERMAIN BEND
- 11.25° 11.25° WATERMAIN BEND
- 200x150 WATERMAIN TEE (MAIN BRANCH)
- 200x200x200 WATERMAIN CROSS
- 200x150 WATERMAIN REDUCER
- WM WATER METER
- RM REMOTE WATER METER READER
- SC SIEMSE CONNECTION
- FF FLOOR ELEVATION
- GRS GARAGE FLOOR SLAB ELEVATION
- P1 PARKING LEVEL FLOOR ELEVATION
- 3.0% SLOPE AND DIRECTION OF FLOW
- 5.75% SLOPE AND DIRECTION OF FLOW
- HP HIGH POINT
- TERRACING
- T/G TOP OF GRATE ELEVATION
- T/F TOP OF FLANGE
- OVERLAND FLOW ROUTE
- PHASING LIMITS
- SILT FENCE
- BARRIER CURB (SC1.1)
- DC DEPRESSED BARRIER CURB LOCATION
- SWALE AND DIRECTION OF FLOW
- RETAINING WALL
- BLD BUILDING ENTRY LOCATION
- STR STRUCTURE TO BE ADJUSTED
- REL STRUCTURE TO BE RELOCATED

TOPOGRAPHIC INFORMATION
PROVIDED BY ANNIS, O'SULLIVAN, VOLLEBEKK LTD.
DATED JULY 20, 2018

JOB BENCHMARK
PROVIDED BY ANNIS, O'SULLIVAN, VOLLEBEKK LTD.
NCC MONUMENT 01919680184
NTM-NAD83 ZONE 9
NORTHING=5040610.15
EASTING=384736.57
ELEVATION=52.68



ARCHITECTURE DE PAYSAGE Landscape architect

exp SERVICES INC.
2650 Queensway Drive, Unit 100, Ottawa, ON, K2B 8H6
T 613 688 1899 F 613 225 7330 www.exp.com

ARCHITECTS Architect
NEUF architect(e)s INCORP.
630, boul. René-Lévesque O. 5^e étage, Montréal, QC H3B 1S6
T 514 847 1117 NEUFarchitectes.com

SCEAU Seal



exp Services Inc.
T +1 613 688 1899 | F +1 613 225 7337
2650 Queensway Drive, Suite 100
Ottawa, ON K2B 8H6
Canada
www.exp.com



- BUILDINGS • EARTH & ENVIRONMENT • ENERGY •
- INDUSTRIAL • INFRASTRUCTURE • SUSTAINABILITY •

CLIENT Client



88 Rue Lahaie, Gatineau QC J8Y 3R7
T 819 243 7392 www.brigil.com

Ouvrage Project

PETRIE'S LANDING I - PHASES 3-5

EMPLACEMENT Location NO PROJET No.
OTTAWA, ON. OTT-00247308-A0

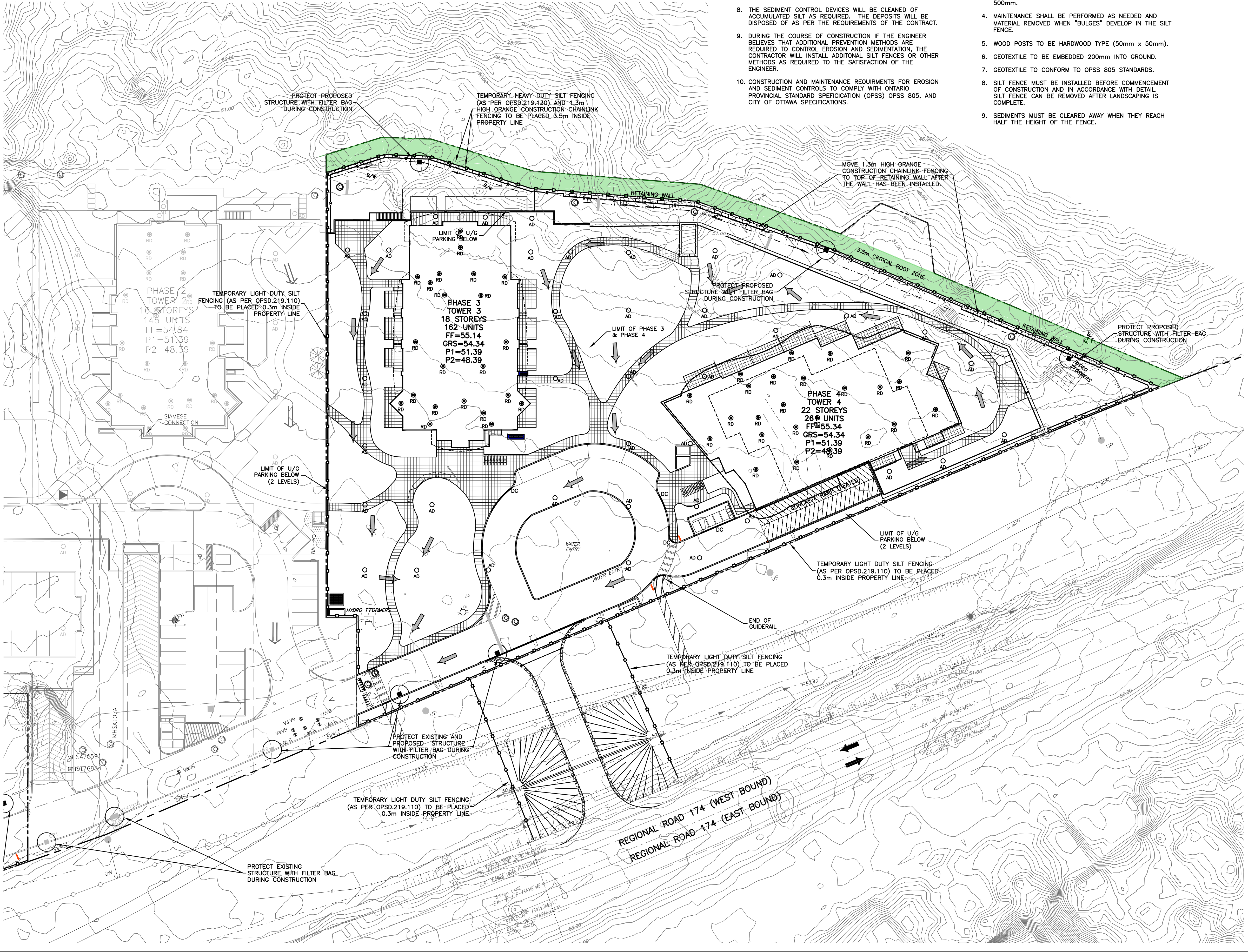
NO	REVISION	DATE (aa.mm.jj)
1	ISSUED FOR REVIEW	18.08.03
2	ISSUED FOR SITE PLAN APPROVAL	18.09.14
3	ISSUED FOR CLIENT REVIEW	19.04.05
4	ISSUED FOR SITE PLAN APPROVAL	19.05.10
5	ISSUED FOR SITE PLAN APPROVAL	19.05.22
6	ISSUED FOR SPA-CITY COMMENTS	19.07.22
7	REVISED PER CITY COMMENTS	19.07.30
8	UPDATED TOWER 4	20.02.12
9	PRE-IFC FOR BRIGIL REVIEW	20.09.14
10	ISSUED FOR CONSTRUCTION	20.11.10
11	ISSUED FOR TOWER 4 BUILDING PERMIT	21.12.10
12	ISSUED FOR TENDER	22.02.25
13	ISSUED FOR PERMIT UPDATE	22.03.14
14	ISSUED FOR POST TENDER ADDENDUM 1	22.10.28
15	ISSUED FOR TENDER	22.12.05
16	ISSUED FOR CONSTRUCTION	22.12.16
17	ISSUED FOR COORDINATION	23.11.08
18	ISSUED FOR SI-009	23.11.17
19	ISSUED FOR APPROVAL	24.06.24

DESIGNER PAR Drawn by S.BUTLER
DATE (aa.mm.jj) 18.07.18
TITRE DU DESSIN Drawing Title

VERIFIER PAR Checked by B.THOMAS
ECHELLE Scale 1:400

EROSION & SEDIMENT CONTROL PLAN
TOWERS 3 & 4

REVISION Revision NO DESSIN Dwg Number
C300
#14602



Project: Petrie's Landing I - Phases 3-5, S. & S. Brigil, 88 Rue Lahaie, Gatineau, QC J8Y 3R7
 Date: 18/07/2018 14:27:30
 User: S.BUTLER
 Plot: 18/07/2018 14:27:30
 Scale: 1:400
 Author: S.BUTLER
 Checker: B.THOMAS
 Title: Erosion & Sediment Control Plan
 Drawing No: C300
 Revision: 18/07/2018