

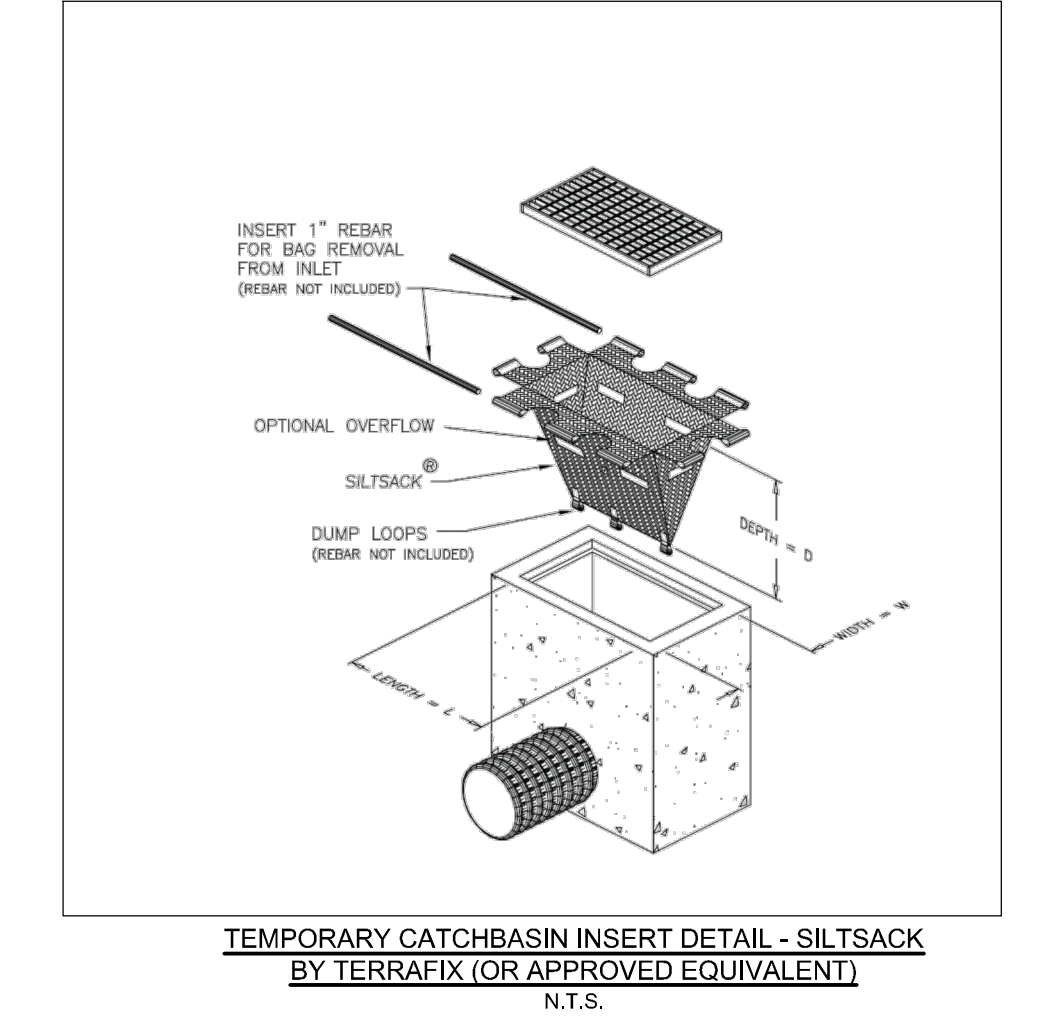
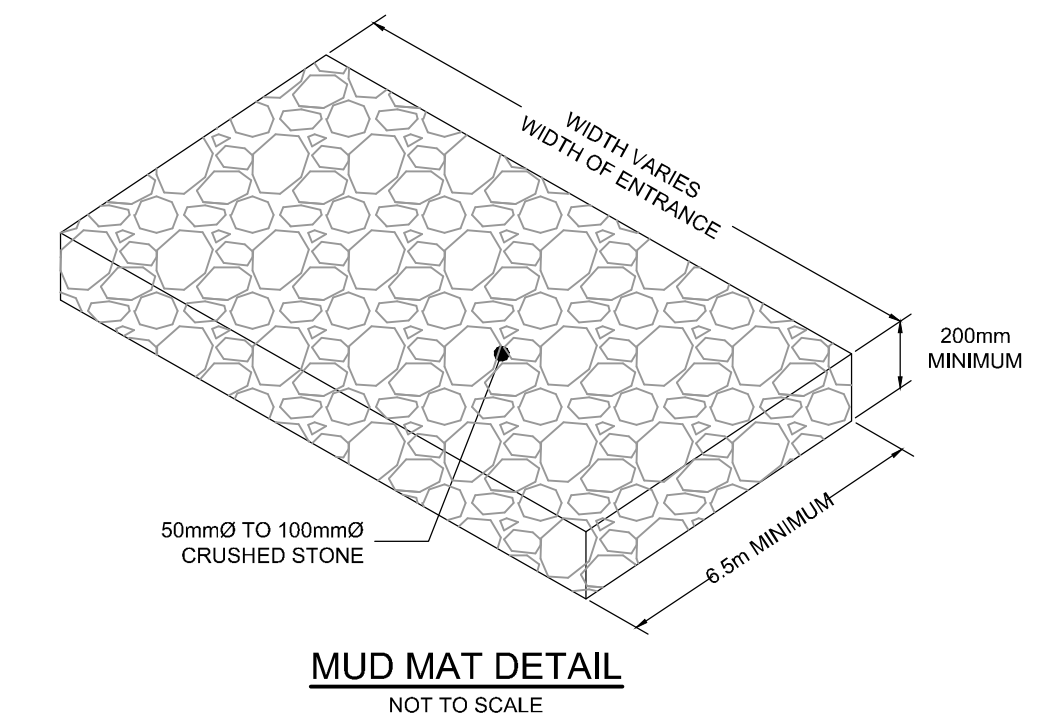
LEGEND

---	PROPERTY LINE	○	PROPOSED FILTER BAGS AT CATCHBASINS, CATCHBASIN MANHOLES AND TRENCHDRAINS
---	PROPOSED CURB	○	PROPOSED MUD MAT
DC	PROPOSED DEPRESSED CURB	○	LIGHT DUTY SILT FENCE (OPSD 219-110)
---	PROPOSED RETAINING WALL CIV GUARD RAIL	○	EXISTING STORM MANHOLE
---	PROPOSED CAP	○	EXISTING CATCHBASIN
---	PROPOSED STORM SEWER AND MANHOLE	○	EXISTING LIGHT STANDARD
○	PROPOSED CATCHBASIN MANHOLE	○	EXISTING FENCE
○	PROPOSED CATCHBASIN	○	EXISTING ROAD SIGNAGE
○	PROPOSED LANDSCAPE DRAIN		
○	PROPOSED AREA DRAIN		
○	PROPOSED TRENCH DRAIN		
○	PROPOSED BUILDING ENTRANCE		
---	SINGLE OR SUBSIDIARY AND DIRECTION OF FLOW		
---	TERRACING 3:1 SLOPE MAX (UNLESS OTHERWISE INDICATED)		

EROSION AND SEDIMENT CONTROL NOTES:

THE CONTRACTOR SHALL IMPLEMENT BEST MANAGEMENT PRACTICES, TO PROVIDE FOR PROTECTION OF THE AREA DRAINAGE SYSTEM AND THE RECEIVING WATERCOURSE, DURING CONSTRUCTION ACTIVITIES. THE CONTRACTOR ACKNOWLEDGES THAT FAILURE TO IMPLEMENT APPROPRIATE EROSION AND SEDIMENT CONTROL MEASURES MAY BE SUBJECT TO PENALTIES IMPOSED BY ANY APPLICABLE REGULATORY AGENCY.

- 1) THE OWNER AGREES TO PREPARE AND IMPLEMENT AN EROSION AND SEDIMENT CONTROL PLAN TO THE SATISFACTION OF THE CITY OF OTTAWA, APPROPRIATE TO THE SITE CONDITIONS. PRIOR TO UNDERTAKING ANY SITE ALTERATIONS (FILLING, GRADING, REMOVAL OF VEGETATION, ETC.) AND DURING ALL PHASES OF SITE PREPARATION AND CONSTRUCTION IN ACCORDANCE WITH THE CURRENT BEST MANAGEMENT PRACTICES FOR EROSION AND SEDIMENT CONTROL SUCH AS BUT NOT LIMITED TO INSTALLING FILTER CLOTHS ACROSS MANHOLE/CATCHBASIN LIDS TO PREVENT SEDIMENTS FROM ENTERING STRUCTURES AND INSTALL AND MAINTAIN A LIGHT DUTY SILT FENCE BARRIER AS REQUIRED.
- 2) THE CONTRACTOR SHALL PLACE FILTER BAGS UNDER THE CATCHBASIN AND MANHOLE GRATES FOR THE DURATION OF CONSTRUCTION AND WILL REMAIN IN PLACE DURING ALL PHASES OF CONSTRUCTION.
- 3) SILT FENCING FOR ENTIRE PERIMETER OF SITE, SHALL BE UTILIZED TO CONTROL EROSION FROM THE SITE DURING CONSTRUCTION.
- 4) THE CONTRACTOR ACKNOWLEDGES THAT FAILURE TO IMPLEMENT EROSION AND SEDIMENT CONTROL MEASURES MAY BE SUBJECT TO PENALTIES IMPOSED BY ANY APPLICABLE REGULATORY AGENCY.
- 5) PROVIDE MUD MATS AT ALL CONSTRUCTION ACCESS POINTS TO MINIMIZE SEDIMENT TRANSPORT OFFSITE.
- 6) EROSION AND SEDIMENT CONTROL MEASURES MAY BE MODIFIED IN THE FIELD AT THE DISCRETION OF THE CITY OF OTTAWA SITE INSPECTOR OR CONSERVATION AUTHORITY.



NOTE:
THE POSITION OF ALL POLE LINES, CONDUITS, WATERMANS, SEWERS AND OTHER UNDERGROUND AND OVERGROUND UTILITIES AND STRUCTURES IS NOT NECESSARILY SHOWN ON THE CONTRACT DRAWINGS, AND WHERE SHOWN, THE ACCURACY OF THE POSITION OF SUCH UTILITIES AND STRUCTURES IS NOT GUARANTEED. BEFORE STARTING WORK, DETERMINE THE EXACT LOCATION OF ALL SUCH UTILITIES AND STRUCTURES AND ASSUME ALL LIABILITY FOR DAMAGE TO THEM.

CLARIDGE HOMES
505 PRESTON STREET,
OTTAWA, ONTARIO
K1S 4N7.



No.	REVISION	DATE	BY	No.	REVISION	DATE	BY
8.	ISSUED FOR TENDER	MAY 16/24	GJM	1.	ISSUED FOR FOUNDATION PERMIT	AUG 11/23	GJM
7.	ISSUED FOR CONSTRUCTION	MAY 22/24	GJM	2.	ISSUED FOR PERMIT	DEC 21/23	GJM
6.	WATER SERVICING ALTERATIONS	MAR 22/24	GJM	3.	ISSUED FOR TENDER	FEB 02/24	GJM
5.	REVISED PER CITY COMMENTS	MAR 20/24	GJM	4.	ISSUED FOR TENDER	MAR 12/24	GJM
4.	REVISED PER CITY COMMENTS	MAR 12/24	GJM	5.	REVISED PER CITY COMMENTS	MAR 20/24	GJM
3.	ISSUED FOR TENDER	FEB 02/24	GJM	6.	WATER SERVICING ALTERATIONS	MAR 22/24	GJM
2.	ISSUED FOR PERMIT	DEC 21/23	GJM	7.	ISSUED FOR CONSTRUCTION	MAY 22/24	GJM
1.	ISSUED FOR FOUNDATION PERMIT	AUG 11/23	GJM	8.	ISSUED FOR TENDER	MAY 16/24	GJM
10.	REVISED PER CITY COMMENTS	JAN 23/25	GJM				
9.	REVISED SPA TO INCLUDE ENTIRE PARKING GARAGE FOR 141 GEORGE, 110 & 116 YORK	SEPT 24/24	GJM				

SCALE
1:300

DESIGN: ARM/CJF
CHECKED: ARM
DRAWN: ARM/CJF
CHECKED: ARM
APPROVED: GJM

PROFESSIONAL ENGINEER
G.J. MacDONALD
PROVINCE OF ONTARIO

NOVATECH
Engineers, Planners & Landscape Architects
Suite 200, 240 Michael Copland Drive
Ottawa, Ontario, Canada K2M 1P6
Telephone: (613) 254-9643
Facsimile: (613) 254-5867
Website: www.novatech-eng.com

LOCATION
CITY OF OTTAWA
141 GEORGE STREET

DRAWING NAME
EROSION AND SEDIMENT CONTROL PLAN

PROJECT No.: 112142
REV: REV #10
DRAWING No.: 112142-ESC
#16814