

APPROVED
 By Lily Xu at 1:11 pm, Apr 22, 2025

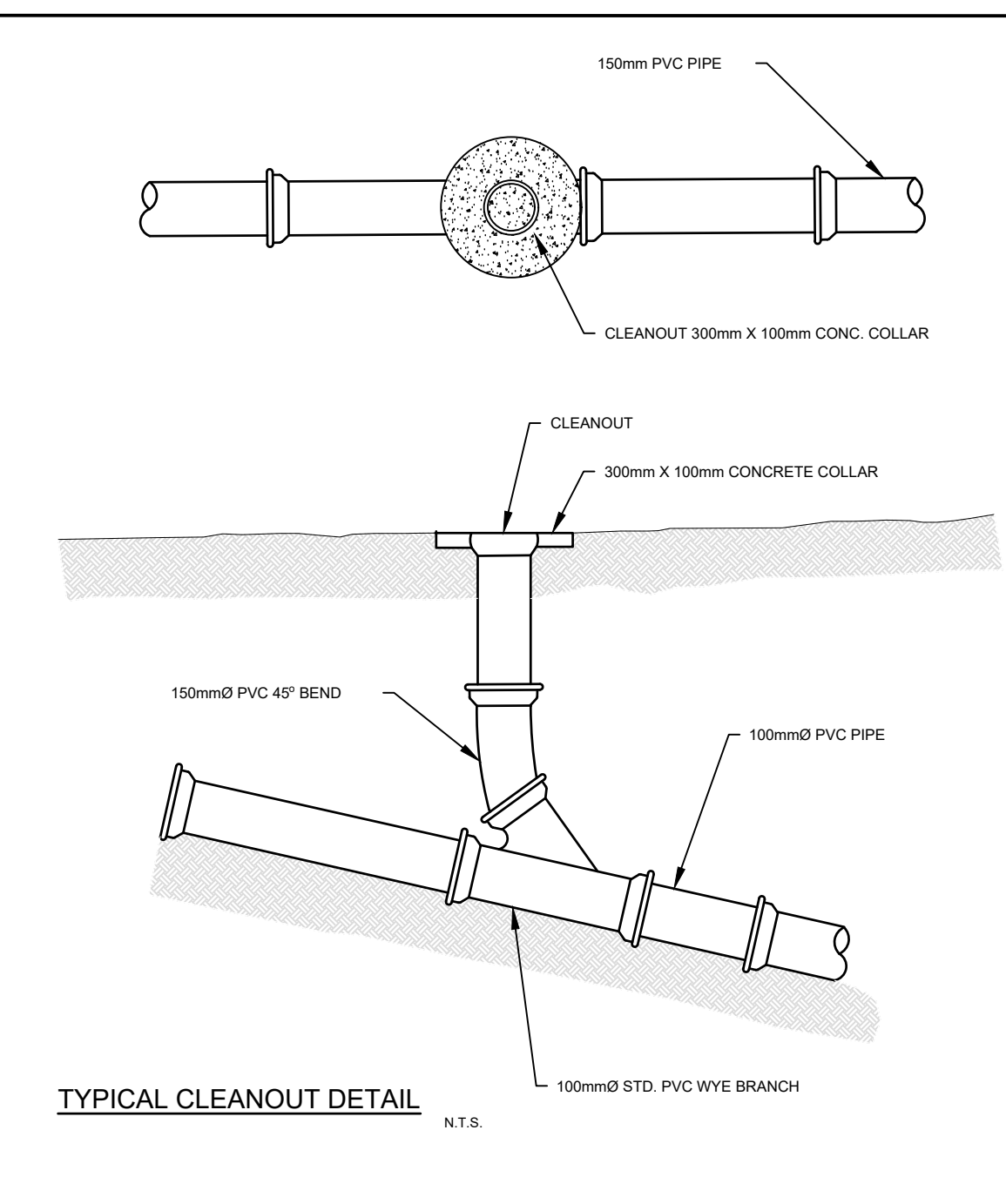
LILY XU, MCIP, RPP
 MANAGER, DEVELOPMENT REVIEW SOUTH
 PLANNING, DEVELOPMENT, AND BUILDING SERVICES
 DEPARTMENT, CITY OF OTTAWA

12 CONTROL FLOW ROOF DRAINS AND PROPOSED GREEN ROOF. SEE MECHANICAL AND ARCHITECTURAL ROOF PLANS FOR MORE DETAILS.

CROSSING ID	PIPE DEVI / INV	CLEARANCE (m)
CR1	PR STM INV=80.317 EX WTM DEVI=78.702	0.61
CR2	PR STM INV=80.476 EX WTM DEVI=78.702	0.71
CR3	PR STM INV=79.460 EX WTM DEVI=78.410	1.05
CR4	EX STM DEVI=77.074 PR WTM INV=77.507	0.51
CR5	PR STM INV=77.448 PR WTM DEVI=77.046 DEVI=77.046 TO ADJACENT ROADWAY	0.50
CR6	PR WTM INV=80.145 EX STM DEVI=78.004	2.14
CR7	EX WTM INV=79.784 EX STM DEVI=78.004	0.50

*EXISTING WATERMAIN OBVERTS BASED ON ASSUMED EX WTM DEPTH OF 2.4m

- LEGEND**
- PROPOSED LAMP STANDARD
 - PROPOSED UTILITY POLE
 - PROPOSED HYDRO POLE
 - PROPOSED SIGN
 - PROPOSED HYDRO TRANSFORMER
 - PROPOSED CATCHBASIN
 - PROPOSED DOUBLE CATCHBASIN
 - PROPOSED DITCH INLET CATCHBASIN
 - PROPOSED DITCH INLET CATCHBASIN (TYPE A)
 - PROPOSED DITCH INLET CATCHBASIN (TYPE B)
 - PROPOSED CATCHBASIN MANHOLE
 - PROPOSED DOUBLE CATCHBASIN MANHOLE
 - PROPOSED DITCH INLET CATCHBASIN MANHOLE (TYPE A)
 - PROPOSED DITCH INLET CATCHBASIN MANHOLE (TYPE B)
 - PROPOSED STORM MANHOLE
 - PROPOSED SANITARY MANHOLE
 - PROPOSED FIRE HYDRANT
 - PROPOSED WATERMAIN VALVE
 - PROPOSED CURB STOP
 - PROPOSED REDUCER
 - PROPOSED FIRE DEPARTMENT CONNECTION
 - EXISTING CATCHBASIN
 - EXISTING DOUBLE CATCHBASIN
 - EXISTING DITCH INLET CATCHBASIN
 - EXISTING STORM MANHOLE
 - EXISTING CATCHBASIN MANHOLE
 - EXISTING DOUBLE CATCHBASIN MANHOLE
 - EXISTING SANITARY MANHOLE
 - EXISTING FIRE HYDRANT
 - EXISTING WATERMAIN VALVE
 - EXISTING CURB STOP
 - EXISTING FIRE DEPARTMENT CONNECTION
 - EXISTING WELL
 - PROPOSED PIPE INSULATION
 - PROPOSED SANITARY SEWERSERVICE
 - PROPOSED STORM SEWERSERVICE
 - PROPOSED WATERMANSERVICE
 - EXISTING SANITARY SERVICE
 - EXISTING STORM SERVICE
 - EXISTING WATERMAIN
 - PROPOSED SUBDRAIN
 - SEEPAGE BARRIER CLAY SEAL
 - PROPOSED GAS METER LOCATION
 - PROPOSED GAS MAIN



1:250

DATE	REVISION
17/01/24	ISSUED FOR SPC RE-SUBMISSION
18/03/24	ISSUED FOR 100% CD SUBMISSION R1
15/05/24	ISSUED FOR 100% CD RE-SUBMISSION
14/05/24	ISSUED FOR 100% CD RE-SUBMISSION
13/24/11/09	ISSUED FOR SPC RE-SUBMISSION
12/24/11/27	ISSUED FOR 100% CD SUBMISSION
10/24/09/29	ISSUED FOR CD-001 SITE CURB AT TUNNEL
9/24/08/23	ISSUED FOR BUILDING PERMIT
8/24/08/23	ISSUED FOR SITE PLAN CONTROL
7/24/08/07	ISSUED FOR 50% CD SUBMISSION
6/24/06/03	ISSUED FOR 100% CD SUBMISSION R2
5/24/05/10	ISSUED FOR FOUNDATION PERMIT
4/24/04/19	ISSUED FOR 100% CD SUBMISSION
3/24/03/24	RE-ISSUED FOR BUILDING PERMIT (TUNNEL)
2/23/12/29	ISSUED FOR BUILDING PERMIT (TUNNEL)
1/23/12/15	RE-ISSUED FOR 50% CD SUBMISSION
0/23/12/15	ISSUED FOR 50% CD SUBMISSION

REPRODUCTION OR
 OTHER THAN THE PURCHASER
 OTHER THAN AUTHORIZED BY
 THE PURCHASER IS PROHIBITED
 AND THE PURCHASER SHALL BE
 RESPONSIBLE FOR ALL
 DAMAGES AND CONSEQUENCES
 ARISING FROM THE USE OF ANY
 INFORMATION PROVIDED HEREIN
 INCLUDING BUT NOT LIMITED TO
 THE USE OF ANY INFORMATION
 FOR PURPOSES OTHER THAN
 THOSE FOR WHICH IT WAS
 PROVIDED.
 2025-03-31
 PROVINCE OF ONTARIO

CHEO INTEGRATED TREATMENT CENTRE
 401 BAYVIEW RD. OTTAWA, ON K1M1L1
 TITLE
PROPOSED SERVICING PLAN

SCALE: 1:250
 DRAWN BY: DL, TK, ZS
 REVIEWED BY: SF
 JOB NUMBER: 2021-0821-13
 PLOT DATE: 2025-04-01
 DRAWING NUMBER

C1201
 PLAN # 19223
 DEVELOPMENT # D07-12-24-0121