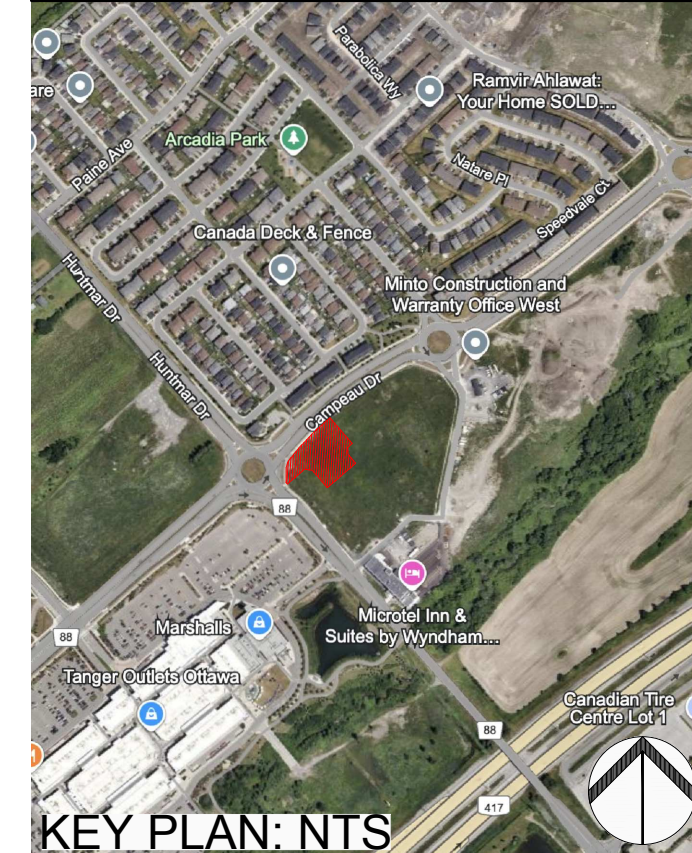


PROPOSED PLANT LIST

KEY	QTY	BOTANICAL NAME	COMMON NAME	SIZE	CONDITION	SPACING/REMARKS
TREES						
CS	1	<i>Picea pungens</i>	Colorado Spruce	2.0m ht.	B&B	Large coniferous tree
FM	2	<i>Acer x freemanii</i>	Freeman's Maple	50mm CAL.	B&B	Large tree
GB	3	<i>Ginkgo biloba</i>	Maidenhair Tree	50mm CAL.	B&B	Large tree
HB	2	<i>Celtis occidentalis</i>	Common Hackberry	50mm CAL.	B&B	Large tree
HL	4	<i>Gleditsia triacanthos</i>	Honey Locust	50mm CAL.	B&B	Medium tree
RO	1	<i>Quercus rubra</i>	Red Oak	50mm CAL.	B&B	Large tree
SB	7	<i>Amelanchier canadensis</i>	Shadblow Serviceberry	50mm CAL.	B&B	Small tree
SF	4	<i>Amelanchier laevis 'JFS-ARB'</i>	Spring Flurry Serviceberry	50mm CAL.	B&B	Small tree
SM	1	<i>Acer saccharum</i>	Sugar Maple	50mm CAL.	B&B	Large tree
SHRUBS						
Ah	11	<i>Hydrangea arborescens 'Annabelle'</i>	Annabelle Hydrangea	1 gal. pot	Potted	2000mm O.C.
Cj	14	<i>Juniperus horizontalis</i>	Creeping Juniper	600mm spr.	Potted	1500mm O.C.
Fg	26	<i>Rhus aromatica 'Gro-Low'</i>	Low Gro Fragrant Sumac	600mm ht.	Potted	1500mm O.C.
Mp	2	<i>Pinus mugo var. Pumilio</i>	Dwarf Mugo Pine	600mm spr.	Potted	2000mm O.C.
Rr	17	<i>Rosa rugosa</i>	Rugosa Rose	800mm ht.	Potted	1500mm O.C.
Ss	37	<i>Sorbaria sorbifolia 'Sem'</i>	Sem False Spirea	600mm ht.	Potted	1500mm O.C.
ORNAMENTAL GRASSES						
kf	31	<i>Calamagrostis acutiflora 'Karl Foerster'</i>	Karl Foerster Grass	250mm pot	Potted	800mm O.C.
ms	31	<i>Panicum virgatum</i>	Switch Grass	250mm pot	Potted	500mm O.C.

- ### PLANT NOTES:
- * DENOTES NATIVE SPECIES
 - ALL TREES ARE TO BE PLANTED ON PRIVATE PROPERTY WITH THE EXCEPTION OF TWO SPRING FLURRY SERVICEBERRIES AND THREE SHADBLOW SERVICEBERRIES IN THE CAMPEAU DRIVE R.O.W.

- ### GENERAL NOTES:
- IT IS THE RESPONSIBILITY OF THE APPROPRIATE CONTRACTOR OR OFFICIAL TO REPORT ANY ERRORS, OMISSIONS OR DISCREPANCIES ON THIS PLAN WITH ACTUAL SITE CONDITIONS TO THE LANDSCAPE ARCHITECT BEFORE PROCEEDING WITH CONSTRUCTION.
 - THE CONTRACTOR IS TO NOTIFY ALL UTILITY COMPANIES AND AUTHORITIES PRIOR TO ANY EXCAVATION AND ASCERTAIN LOCATIONS OF UNDERGROUND SERVICES.
 - THE CONTRACTOR IS TO REINSTATE ALL AREAS AND ITEMS DAMAGED AS A RESULT OF CONSTRUCTION ACTIVITY.
 - THE CONTRACTOR IS TO COMPLY WITH ALL PERTINENT CODES AND BY-LAWS.
 - THE CONTRACTOR IS TO MAINTAIN A POSITIVE SURFACE RUN-OFF THROUGHOUT THE ENTIRE CONSTRUCTION PERIOD.
 - THE LANDSCAPE ARCHITECT IS NOT RESPONSIBLE FOR SUBSURFACE CONDITIONS.
 - THE CONTRACTOR IS TO IDENTIFY ALL EXISTING TREES TO REMAIN ON SITE WITH THE LANDSCAPE ARCHITECT PRIOR TO CONSTRUCTION.
 - THE CONTRACTOR IS TO STAKE THE PROPOSED LOCATION OF ALL PLANT MATERIAL IN CONJUNCTION WITH THE LANDSCAPE ARCHITECT PRIOR TO EXCAVATION.
 - MINIMUM DISTANCES FOR SELECTED DECIDUOUS TREES ARE AS FOLLOWS:
 - 9.1. BUILDING FOUNDATIONS - 7.5M
 - 9.2. SIDEWALKS - 1.5M
 - 9.3. PUBLIC STREETS - 2.5M
 - 9.4. UNDERGROUND INFRASTRUCTURE - 2.0M
 - ALL TREES WITHIN 1M OF UNDERGROUND UTILITY TRENCHES ARE TO BE EXCAVATED BY HAND.
 - REMOVE ALL PROTECTIVE WRAPPING FROM TREE TRUNKS AFTER INSTALLATION.
 - STAKING OF TREES SHALL ONLY BE PERFORMED IF NECESSARY.
 - ENSURE THAT MULCH IS PULLED BACK A MINIMUM DISTANCE OF 75MM FROM BASE OF TREE TRUNK.
 - TREE SOIL VOLUMES ARE TO BE AS FOLLOWS BASED ON A 1.5m SOIL DEPTH:
 - 30m³ FOR A LARGE AND MEDIUM DECIDUOUS TREE
 - 25m³ FOR EVERGREEN TREES
 - 25m³ FOR SMALL DECIDUOUS TREES



PLAN OF SURVEY OF
PART OF BLOCK 1
REGISTERED PLAN 4M-1563
(GEOGRAPHIC TOWNSHIP OF MARCH)
CITY OF OTTAWA

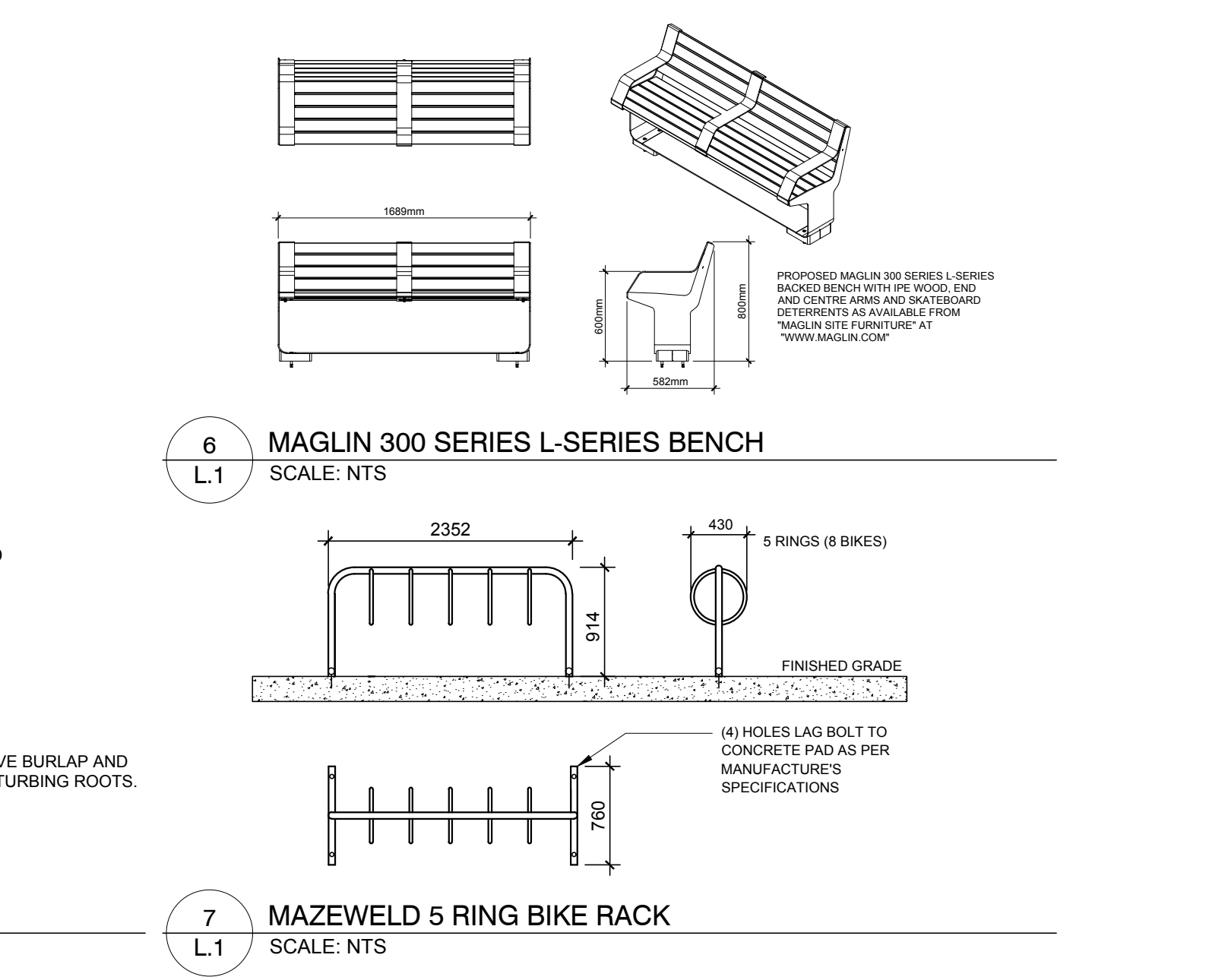
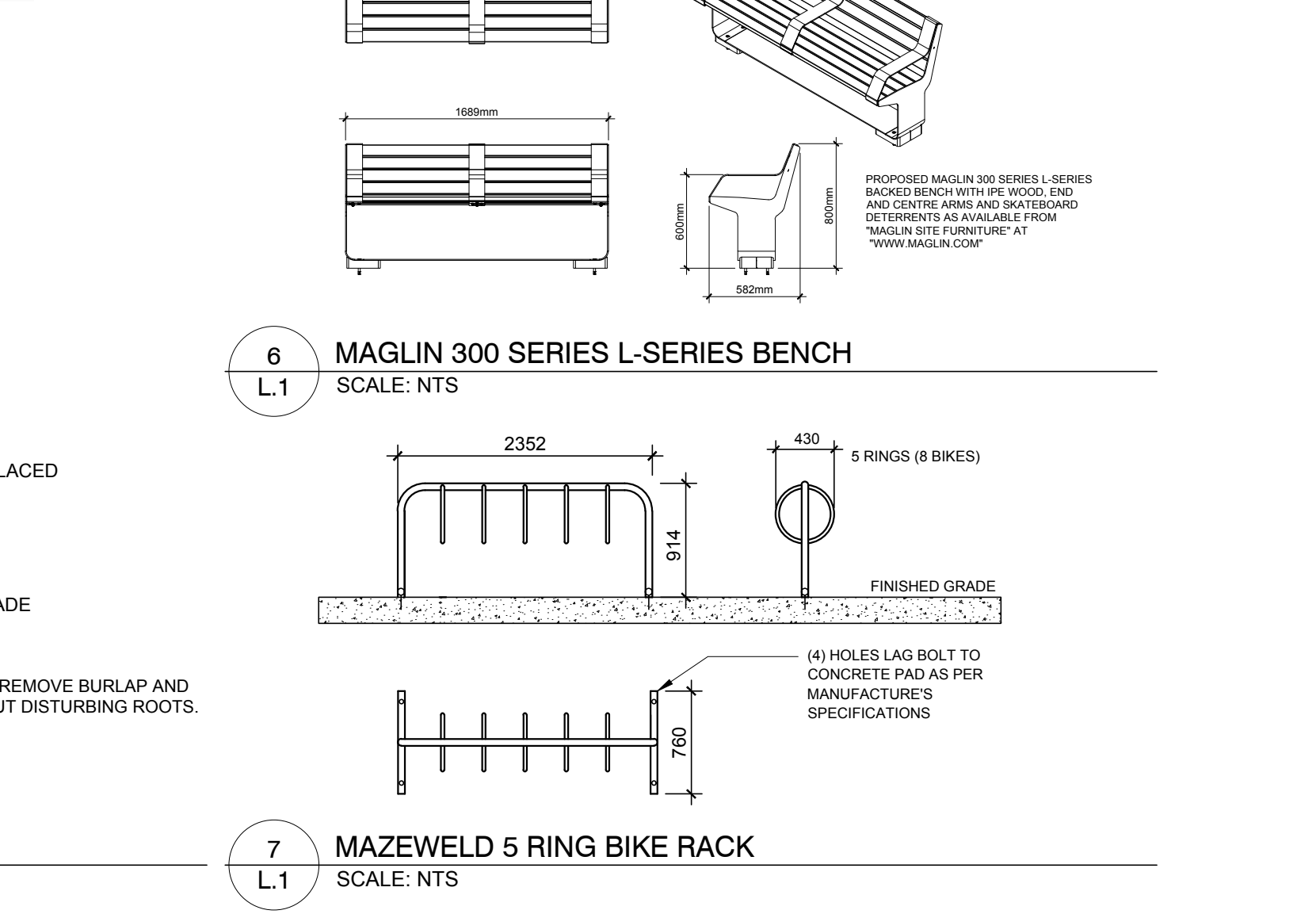
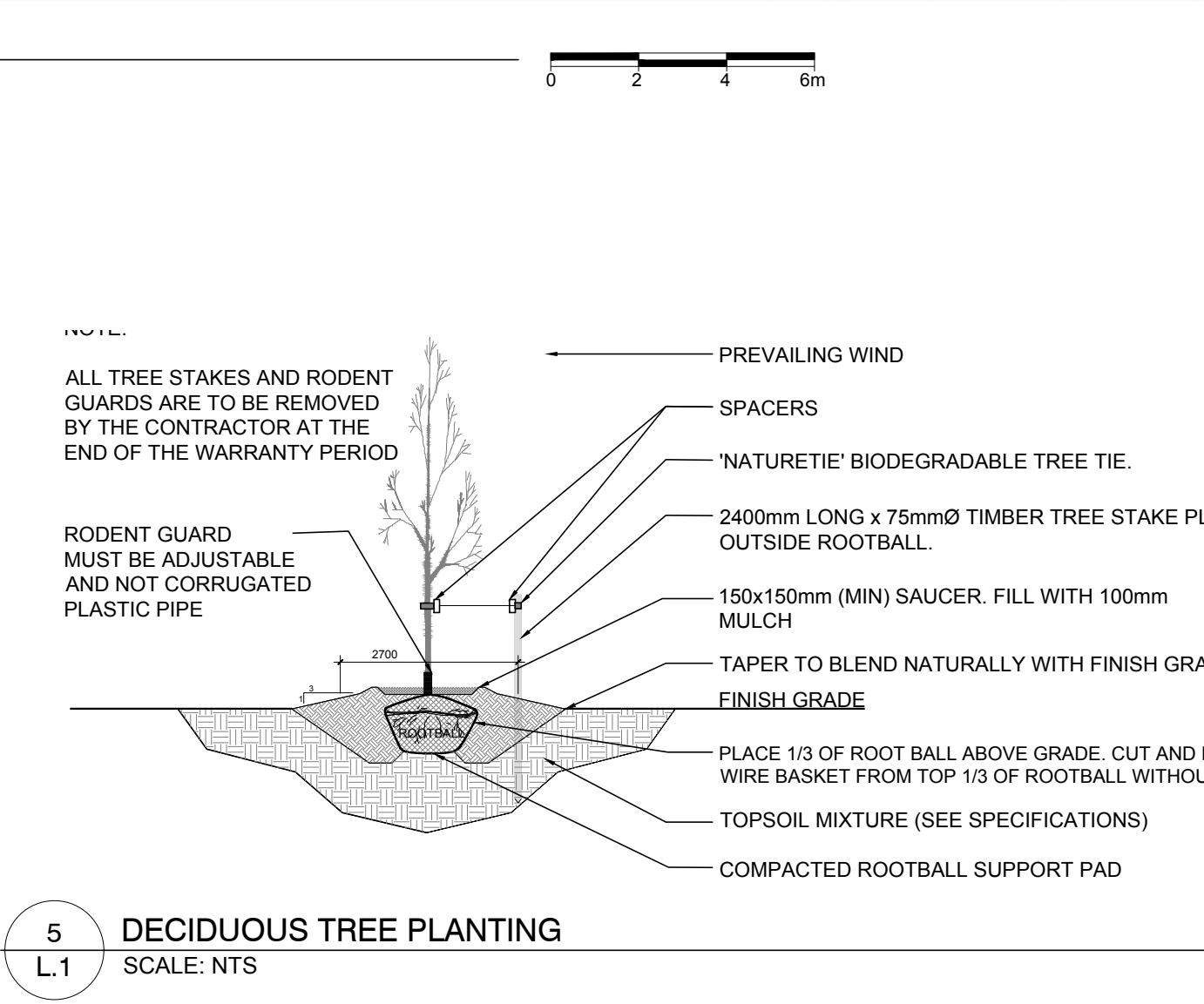
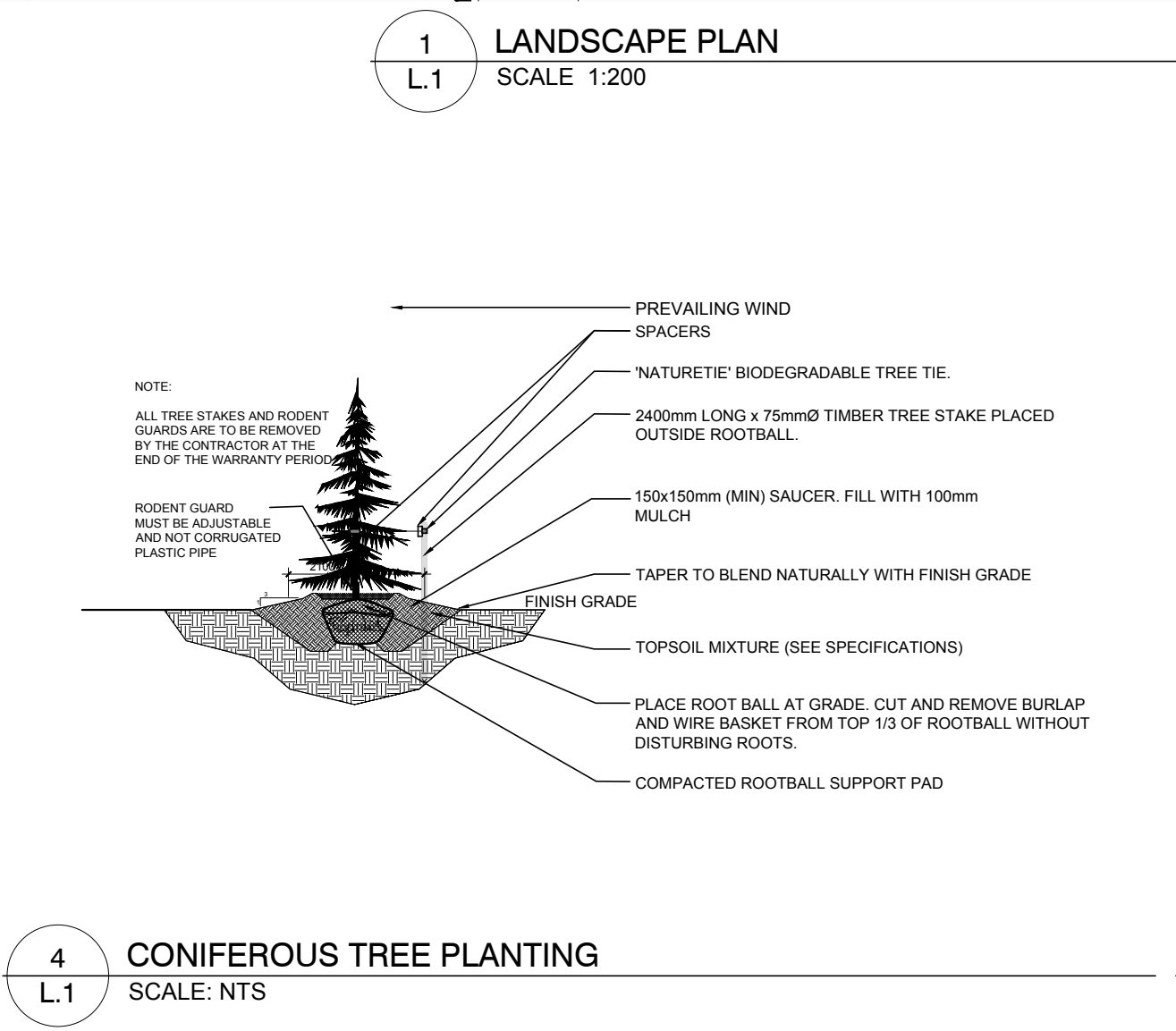
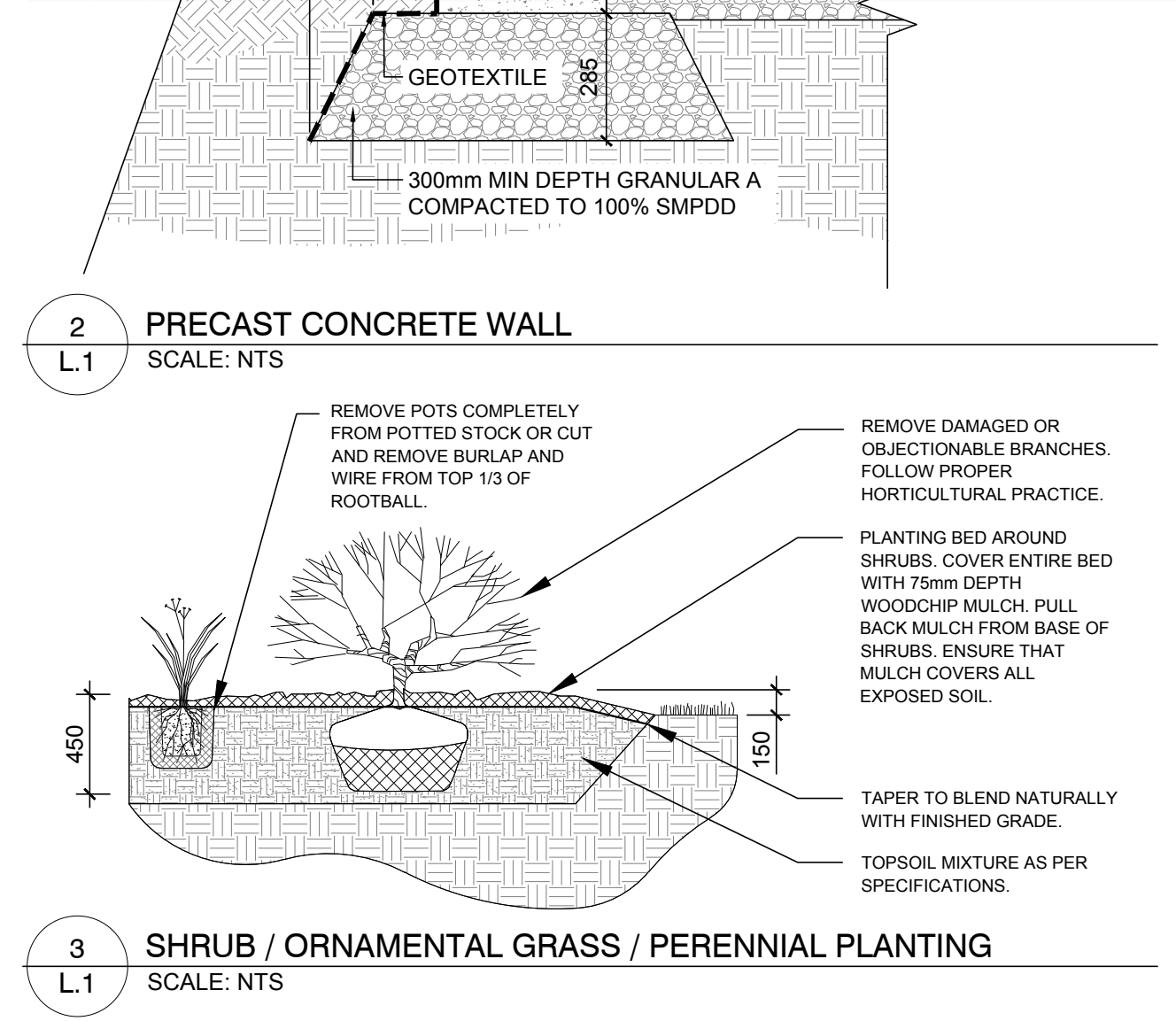
40 YEAR CANOPY CALCULATION:

-6971 m² site area

-8 large trees proposed (154m² ea.), 4 medium trees proposed (79m² ea.), 1 large coniferous tree proposed (79m² ea.) and 11 small trees proposed (7m² ea.)

=1,704m² canopy cover = 24.4% canopy cover

*Large deciduous tree calculated at 14m spread, medium deciduous trees at 10m spread, small deciduous trees at 3m spread, large coniferous trees at 10m spread



CLIENT
MINTO COMMUNITIES
200 180 KENT STREET, OTTAWA, ON, K1P 0B8
T: 613 - 404 - 4235

CONSULTANTS
ARCHITECTS
DCA
A GROUP OF ARCHITECTS

CIVIL ENGINEERS
ARCADIS

333 Preston St Suite 500, Ottawa, ON K1S 5N4
613-721-0555

LEGEND

- PROPOSED DECIDUOUS TREE
- 25 or 30m³ SOIL VOLUME (SEE GENERAL NOTES)
- PROPOSED CONIFEROUS TREE
- 25m³ SOIL VOLUME (SEE GENERAL NOTES)
- PROPOSED SHRUBS AND GRASSES
- PROPOSED WOOD CHIP MULCH
- PROPOSED SOD
- GRASS ON CITY PROPERTY
- PROPOSED CONCRETE WALKWAY
- PROPOSED PEASTONE
- PROPOSED MAGLIN 300 SERIES L-SERIES BACKED BENCH WITH IPE WOOD. END AND CENTRE ARMS AND SKATEBOARD DETENTERS AS AVAILABLE FROM 'MAGLIN SITE FURNITURE' AT 'WWW.MAGLIN.COM'
- PROPOSED 5 RING BIKE RACK
- PROPERTY LINE

6	REVISED PER NEW CIVIL DRAWING	03/06/2025	ML	JL
5	REVISED PER CITY COMMENTS	03/03/2025	ML	JL
4	REVISED PER CITY COMMENTS	01/24/2025	ML	JL
3	ISSUED FOR SITE PLAN APPROVAL	11/08/2024	CM	JL
2	ISSUED FOR DISCUSSION AND REVIEW	08/30/2024	CM	JL
1	ISSUED FOR DISCUSSION AND REVIEW	06/26/2024	CM	JL

No. Issue Date DR CK

JAMES B. LENNOX & ASSOCIATES INC.
LANDSCAPE ARCHITECTS
3332 CARLING AVE. OTTAWA, ONTARIO K2H 5A8
Tel. (613) 722-5168 Fax. (613) 722-5168

PROJECT
MINTO DESIGN CENTER
370 HUNTMAR DRIVE, KANATA ONTARIO

DRAWING
LANDSCAPE PLAN

SCALE
AS SHOWN

START DATE
JUNE, 2024

PROJECT NO.
24MIS2436

DRAWING NO.
L.1

PLOT SIZE ARCH-D