

Client

ISSUE NO.	REV. NO.	DATE	ISSUE
2	0	2024/12/12	ISSUED FOR SITE PLAN CONTROL APPLICATION
1	0	2024/07/26	ISSUED FOR SITE PLAN APPROVE

THE ENGINEER WAIVES ANY AND ALL RESPONSIBILITY AND LIABILITY FOR PROBLEMS WHICH ARISE FROM FAILURE TO FOLLOW THESE PLANS, SPECIFICATIONS AND THE DESIGN INTENT THEY CONVEY, OR FOR PROBLEMS WHICH ARISE FROM OTHER FAILURE TO OBTAIN AND / OR FOLLOW THE ENGINEER'S GUIDANCE WITH RESPECT TO ANY ERRORS, OMISSIONS, INCONSISTENCIES, AMBIGUITIES OR CONFLICTS WHICH ARE ALLEGED.

THIS DRAWING IS THE PROPERTY OF GOODKEY WEEDMARK & ASSOCIATES LIMITED AND ALL COPYRIGHTS ARE RESERVED. NO USE OF THIS DRAWING MAY BE MADE WITHOUT EXPRESS WRITTEN CONSENT.

DO NOT SCALE DRAWINGS.

L'INGÉNIEUR DÉCLINE TOUTE RESPONSABILITÉ DÉCOULANT DE PROBLÈMES FAISANT SUITE AU NON RESPECT DES PLANS, DEVIS ET DE L'INTENTION DU CONCEPT QU'ILS INDICENT OU DE TOUTS LES PROBLÈMES POUVANT RÉSULTER DU DÉFAUT D'OBTENIR ET / OU DE SUIVRE LES CONSEILS DE L'INGÉNIEUR EN CE QUI CONCERNE LES ERREURS, OMISSIONS, INCONSISTANCES, AMBIGUITÉS OU CONFLITS ALLEGUÉS.

CE DESSIN EST LA PROPRIÉTÉ LITTÉRAIRE DE GOODKEY WEEDMARK & ASSOCIATES LIMITED ET TOUTS LES DROITS SONT RÉSERVÉS. L'UTILISATION EST INTERDITE SANS LE CONSENTEMENT ÉCRIT DE L'AUTEUR.

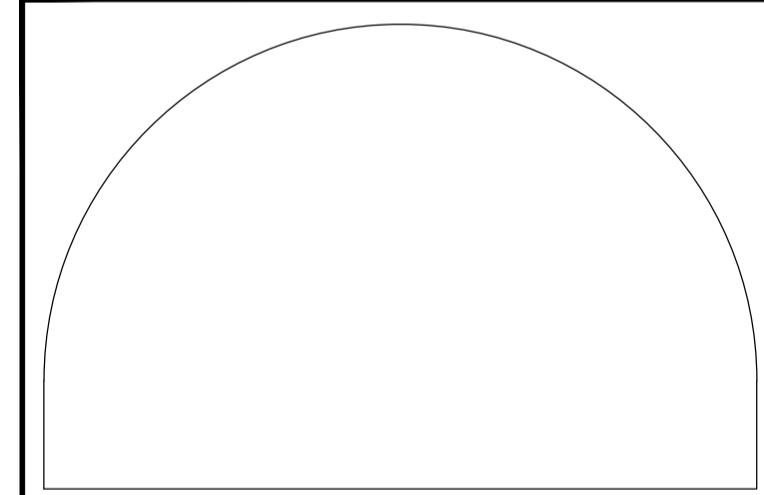
NE PAS MESURER LES DESSINS À L'ÉCHELLE.

Goodkey Weedmark
Consulting Engineers

GOODKEY WEEDMARK & ASSOCIATES LIMITED
1688 Woodward Dr. Ottawa Ontario Canada K2C 3R8
613 727-5111 Voice
613 727-5115 Fax
www.gwal.com Web

Seal/Scelo
LICENSED PROFESSIONAL ENGINEER
D. B. VYAS
100133120
Dec 12, 2014
PROVINCE OF ONTARIO

TRUE NORTH PLAN NORTH



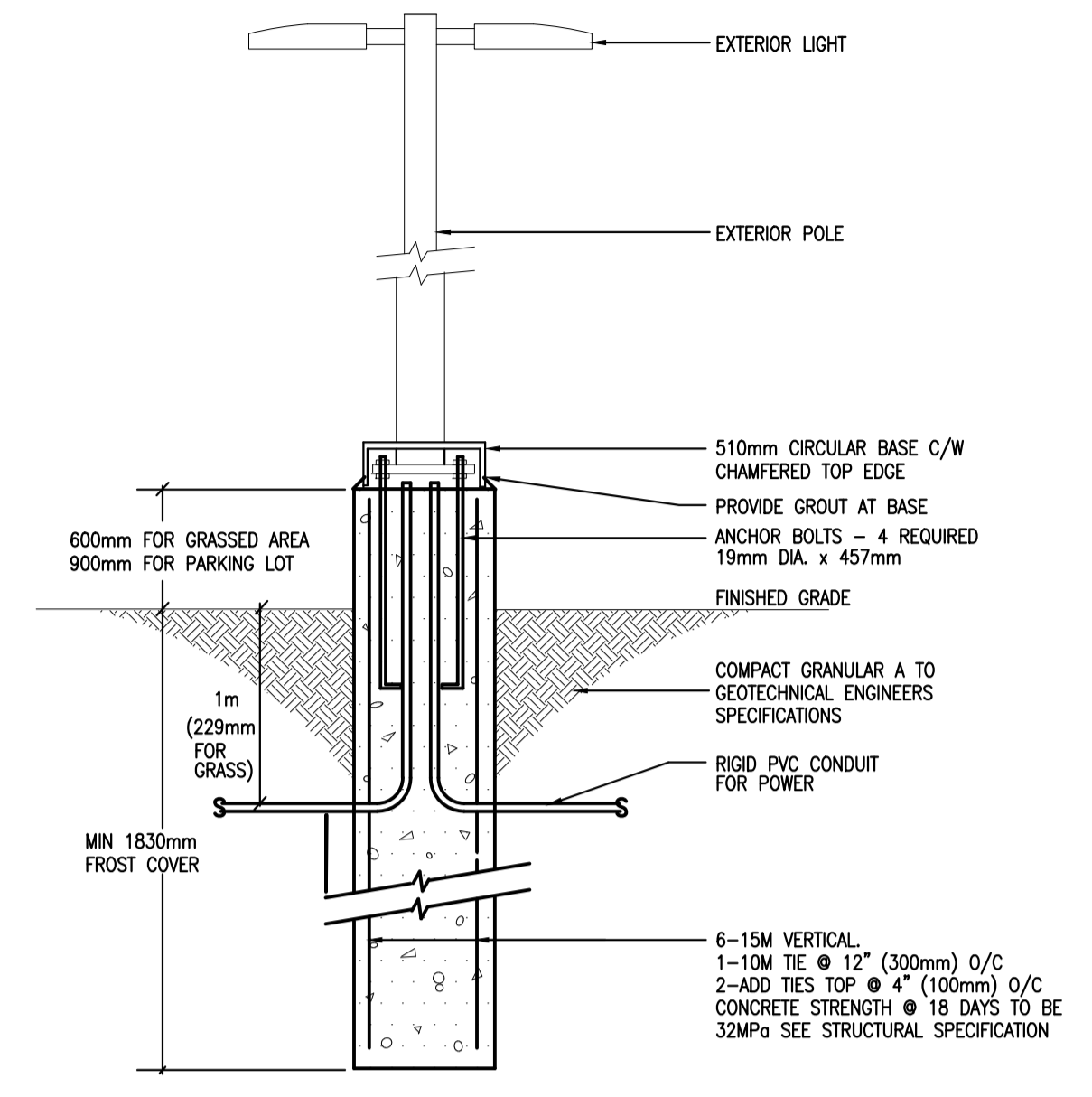
EDWARD J CUHACI & ASSOCIATES ARCHITECTS INC.
171 Slater St, Suite 100, Ottawa, Ontario, K1P 5H7
Fax: (613) 236-1944 Telephone: (613) 236-7135 E-mail: info@cuhaci.com

PROJECT TITLE/TITRE DU PROJET
EARL OF MARCH SECONDARY SCHOOL ADDITION 2024

4 THE PARKWAY, KANATA ON.

DRAWING TITLE/TITRE DU DESSIN
ELECTRICAL SITE PLAN

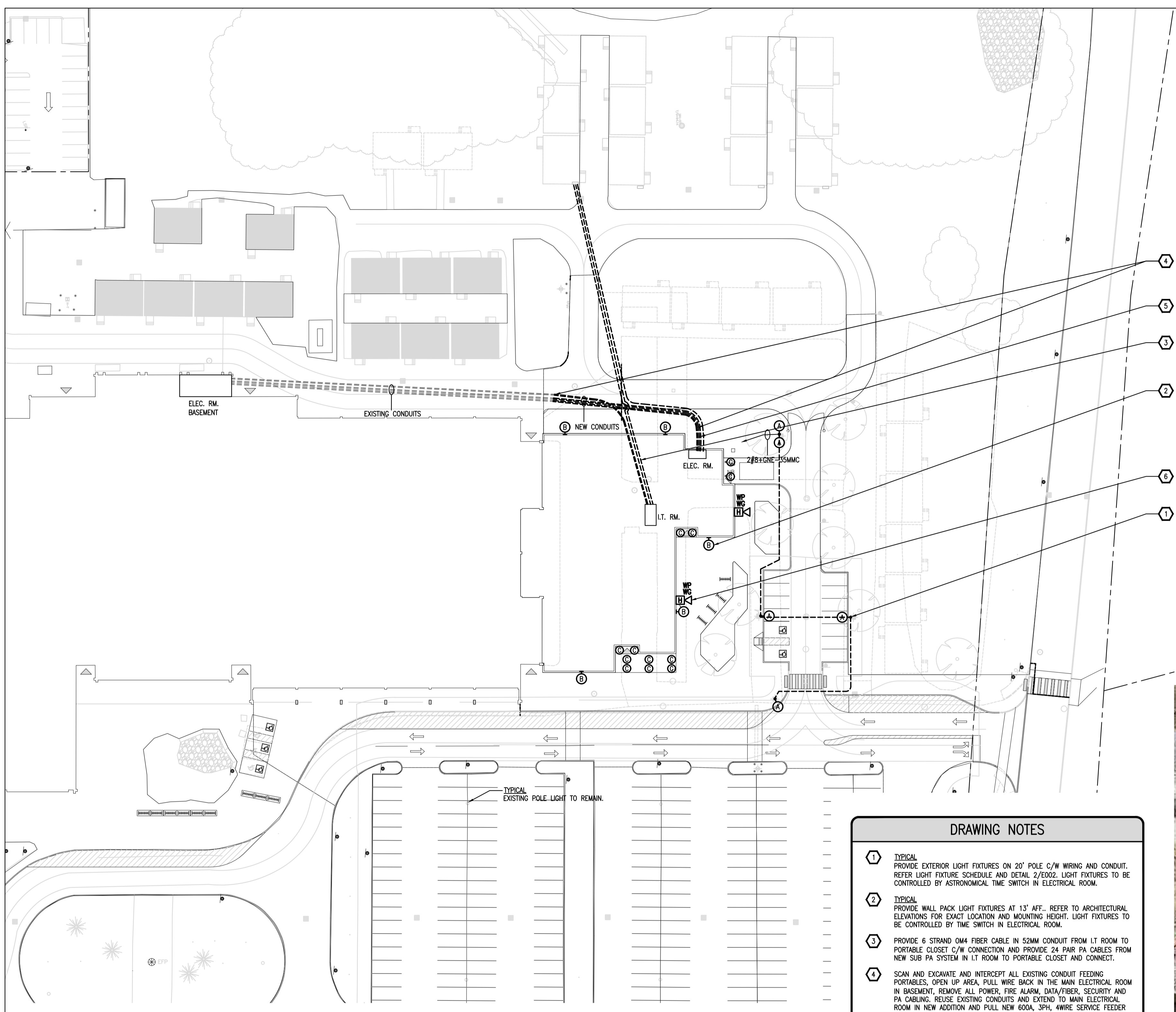
SCALE	PROJ. No	ISSUE No	REV. No
ECHELLE AS NOTED	2024-107	2	-
DRAWN BY	J. GUAN	DRAWING/DESSIN	
CHECKED BY	D. VYAS	E1	
DATE	JULY 2024	ACAD FILE/FICHER	Z:\2024-107\ELEC



2 BASE DETAIL FOR EXTERIOR LIGHT STANDARD
E1 N.T.S.



3 EXISTING UNDER GROUND CONDUITS FROM BASEMENT ELECTRICAL ROOM TO PORTABLES
E1 N.T.S.

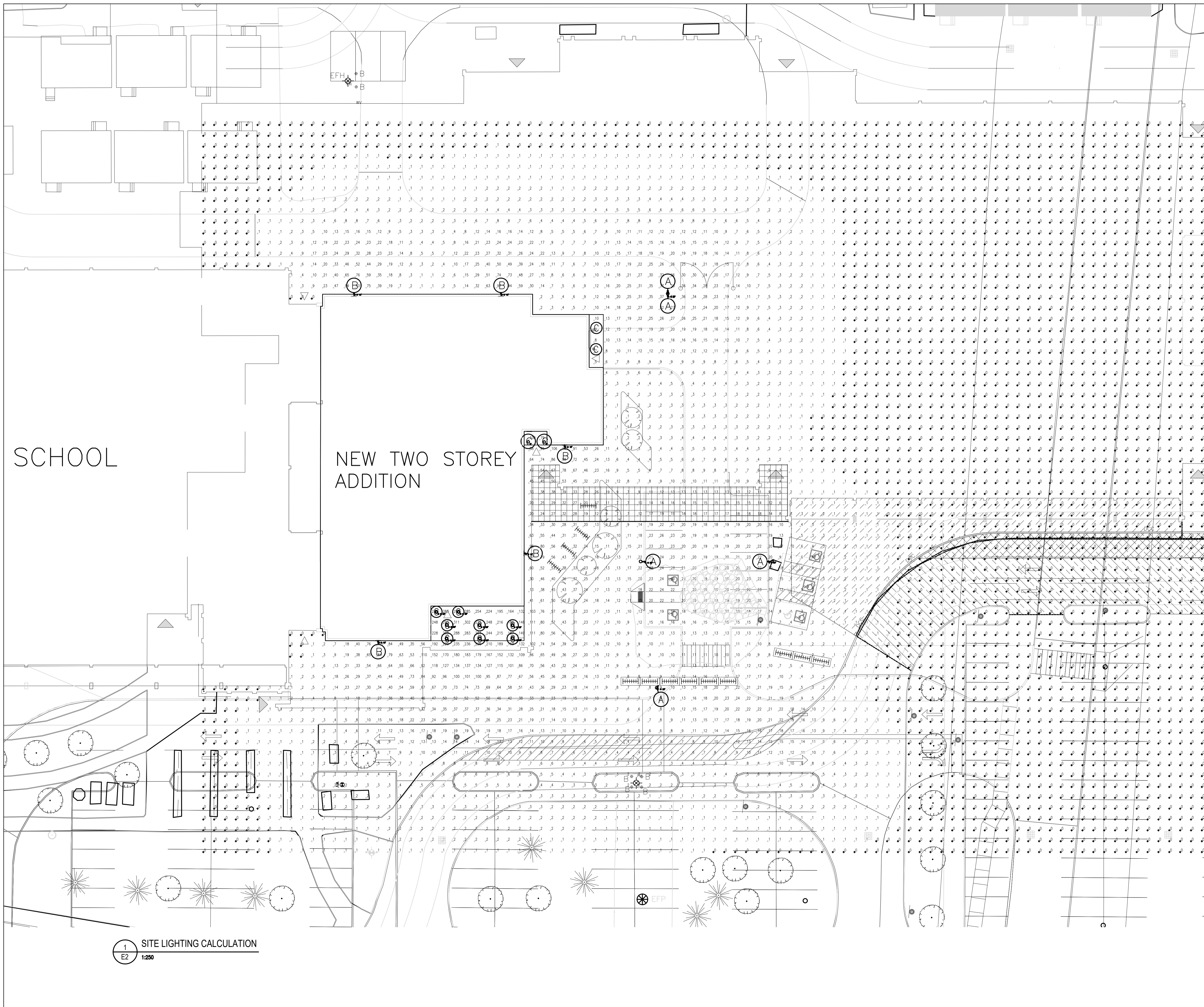


1 ELECTRICAL SITE PLAN
E1 1:500

- DRAWING NOTES**
- TYPICAL PROVIDE EXTERIOR LIGHT FIXTURES ON 20' POLE C/W WIRING AND CONDUIT. REFER LIGHT FIXTURE SCHEDULE AND DETAIL 2/E002. LIGHT FIXTURES TO BE CONTROLLED BY ASTRONOMICAL TIME SWITCH IN ELECTRICAL ROOM.
 - TYPICAL PROVIDE WALL PACK LIGHT FIXTURES AT 13' AFF. REFER TO ARCHITECTURAL ELEVATIONS FOR EXACT LOCATION AND MOUNTING HEIGHT. LIGHT FIXTURES TO BE CONTROLLED BY TIME SWITCH IN ELECTRICAL ROOM.
 - PROVIDE 6 STRAND OM4 FIBER CABLE IN 52MM CONDUIT FROM I.T. ROOM TO PORTABLE CLOSET C/W CONNECTION AND PROVIDE 24 PAIR PA CABLES FROM NEW SUB PA SYSTEM IN I.T. ROOM TO PORTABLE CLOSET AND CONNECT.
 - SCAN AND EXCAVATE AND INTERCEPT ALL EXISTING CONDUIT FEEDING PORTABLES, OPEN UP AREA, PULL WIRE BACK IN THE MAIN ELECTRICAL ROOM IN BASEMENT, REMOVE ALL POWER, FIRE ALARM, DATA/FIBER, SECURITY AND PA CABLING. REUSE EXISTING CONDUITS AND EXTEND TO MAIN ELECTRICAL ROOM IN NEW ADDITION AND PULL NEW 600A, 3PH, 4 WIRE SERVICE FEEDER (2 RUNS OF 4#350MCM-78C) FROM THE MAIN SWITCHBOARD AND TERMINATE. PULL NEW EXTERIOR GRADE 12 STRAND OM4 FIBER CABLE IN 52MM CONDUIT FROM BASEMENT ELECTRICAL ROOM TO MAIN IT ROOM IN NEW ADDITION AND FROM IT ROOM IN ADDITION TO EXISTING PORTABLE CLOSET. ALL UN USED CONDUITS SHALL BE CAPPED AND SEALED. REFER TO DETAIL 3/E002 EXISTING CONDUITS FROM BASEMENT ELECTRICAL ROOM TO PORTABLES.
 - EXISTING FIRE ALARM CONTROL PANEL AT BASEMENT MAIN ELECTRICAL ROOM. REUSE EXISTING CONDUITS AND EXTEND TO MAIN ELECTRICAL ROOM AT NEW ADDITION. PROVIDE 2x35mm CONDUIT C/W FIRE ALARM CABLE WITH SURGE PROTECTION AT BOTH ENDS. NEW FIRE ALARM POWER BOOSTER AT NEW ADDITION EACH FLOOR. EXISTING FIRE ALARM CONDUIT C/W CABLE TO PORTABLE TO REMAIN.
 - TYPICAL OUTDOOR P.A. HORN C/W WIRE GUARD. PROVIDE 21MM CONDUIT TO ACCESSIBLE CEILING SPACE. WIRING BY P.A. SYSTEM CONTRACTOR.

EXTERIOR LIGHTING FIXTURE SCHEDULE

TYPE	DESCRIPTION	CATALOG NUMBER	LAMPS PER FIXTURE				MOUNTING	REMARKS
			QTY	TYPE	WATTS	COLOUR		
A	EXTERIOR 20' POLE LIGHT	MCGRAW-EDISON # CALN-SA1C-840-U-T3 MS-DIM-L20		LED	57	4000	120	(20') 5" ROUND POLE C/W SNOW GUARD, TWO FIXTURES C/W HOUSE SHIELD C/W BUILT-IN SENSOR TO REDUCE LIGHTING TO 50% IF UNOCCUPIED FOR MORE THAN 30 MINUTES.
B	EXTERIOR LED WALL PACK	LUMARK # XTOR6BRL MS-DIM-L20		LED	58	4000	120	(13') ON THE EXTERIOR WALL C/W BUILT-IN SENSOR TO REDUCE LIGHTING TO 50% IF UNOCCUPIED FOR MORE THAN 30 MINUTES.
C	CANDOPY LIGHT	HALO COMMERCIAL # HC8500010 - HM8255840 - 81WDH		LED	48	4000	120	CANOP ON SECOND FLOOR C/W BUILT-IN SENSOR TO REDUCE LIGHTING TO 50% IF UNOCCUPIED FOR MORE THAN 30 MINUTES.



1 SITE LIGHTING CALCULATION
E2 1:250



Client

2	0	2024/12/12	ISSUED FOR SITE PLAN CONTROL APPLICATION
1	0	2024/07/26	ISSUED FOR SITE PLAN APPROVE
ISSUE NO.	REV. NO.	DATE	ISSUE

THE ENGINEER WAIVES ANY AND ALL RESPONSIBILITY AND LIABILITY FOR PROBLEMS WHICH ARISE FROM FAILURE TO FOLLOW THESE PLANS, SPECIFICATIONS AND THE DESIGN INTENT THEY CONVEY, OR FOR PROBLEMS WHICH ARISE FROM OTHER FAILURE TO OBTAIN AND / OR FOLLOW THE ENGINEER'S GUIDANCE WITH RESPECT TO ANY ERRORS, OMISSIONS, INCONSISTENCIES, AMBIGUITIES OR CONFLICTS WHICH ARE ALLEGED.

THIS DRAWING IS THE PROPERTY OF GOODKEY WEEDMARK & ASSOCIATES LIMITED AND ALL COPYRIGHTS ARE RESERVED. NO USE OF THIS DRAWING MAY BE MADE WITHOUT EXPRESS WRITTEN CONSENT.

DO NOT SCALE DRAWINGS.

L'INGÉNIEUR DÉCLINE TOUTE RESPONSABILITÉ DÉCOULANT DE PROBLÈMES FAISANT SUITE AU NON RESPECT DES PLANS, DEVIS ET DE L'INTENTION DU CONCEPT QU'ILS INDICENT OU DE TOUTS LES PROBLÈMES POUVANT RÉSULTER DU DÉFAUT D'OBTENIR ET / OU DE SUIVRE LES CONSEILS DE L'INGÉNIEUR EN CE QUI CONCERNE LES ERREURS, OMISSIONS, INCONSISTANCES, AMBIGUITÉS OU CONFLITS ALLEGUÉS.

CE DESSIN EST LA PROPRIÉTÉ LITTÉRAIRE DE GOODKEY WEEDMARK & ASSOCIATES LIMITED ET TOUTS LES DROITS SONT RÉSERVÉS. L'UTILISATION EST INTERDITE SANS LE CONSENTEMENT ÉCRIT DE L'AUTEUR.

NE PAS MESURER LES DESSINS À L'ÉCHELLE.

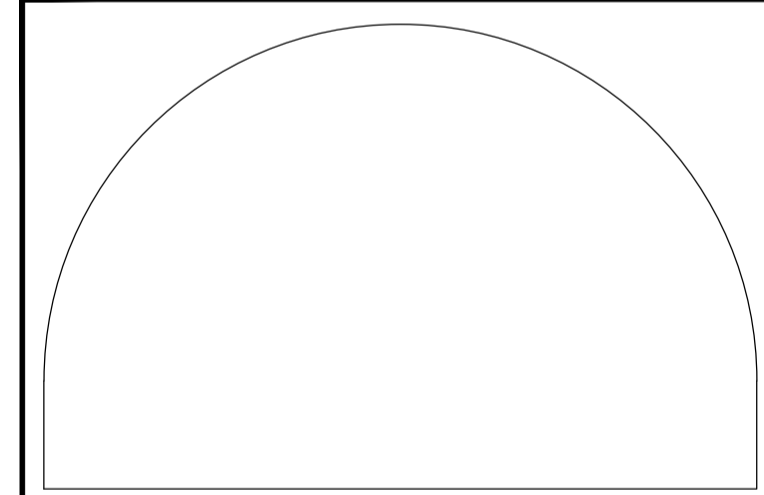
Goodkey Weedmark Consulting Engineers

GOODKEY WEEDMARK & ASSOCIATES LIMITED
1688 Woodward Dr. Ottawa Ontario Canada K2C 3R8
613 727-5111 Fax 613 727-5115
www.gwal.com Web

TRUE NORTH PLAN NORTH

Seal/Scieu

LICENSED PROFESSIONAL ENGINEER
D. B. VYAS
100133120
Dec 17, 2014
PROVINCE OF ONTARIO



EDWARD J CUHACI & ASSOCIATES ARCHITECTS INC.
171 Slater St. Suite 100, Ottawa, Ontario, K1P 5H7
Fax: (613) 236-1944 Telephone: (613) 236-7135 E-mail: info@cuhaco.com

PROJECT TITLE/TITRE DU PROJET
EARL OF MARCH SECONDARY SCHOOL ADDITION 2024

4 THE PARKWAY, KANATA ON.
DRAWING TITLE/TITRE DU DESSIN
SITE LIGHTING CALCULATION

SCALE ECHELLE	AS NOTED	PROJ. No 2024-107	ISSUE No 2	REV. No -
DRAWN BY DESSINE PAR	J. GUAN	DRAWING/DESSIN		
CHECKED BY VÉRIFIÉ PAR	D. VYAS	E2		
DATE	JULY 2024	ACAD FILE/FICHER: Z\2024-107\ELEC		