
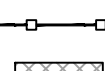


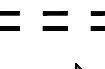



Copyright Reserved

The Contractor shall verify and be responsible for all dimensions. DO NOT scale the drawing - any errors or omissions shall be reported to Stantec without delay.  
The Copyrights to all designs and drawings are the property of Stantec. Reproduction or use for any purpose other than that authorized by Stantec is forbidden.

Legend

-  PROPOSED MUD MAT LOCATION
-  PROPOSED SILT FENCE BOUNDARY AS PER OPSD 219.110
-  PROPOSED STRAW BALE LOCATION AS PER OPSD 219.180
-  PROPOSED TEMPORARY SEDIMENT TRAP AS PER OPSD 219.240
-  PROPOSED TEMPORARY FLAT BOTTOM DITCH
-  FLOW DIRECTION IN TEMPORARY DITCHES

Notes

- BEST MANAGEMENT PRACTICES**
- EROSION AND SEDIMENT CONTROL BEST MANAGEMENT PRACTICES SHALL BE PROVIDED DURING CONSTRUCTION OF THE PROJECT. EROSION MUST BE MINIMIZED AND SEDIMENTS MUST BE REMOVED FROM CONSTRUCTION SITE RUNOFF IN ORDER TO PROTECT DOWNSTREAM AREAS. DURING ALL CONSTRUCTION, EROSION AND SEDIMENTATION SHALL BE CONTROLLED BY THE FOLLOWING TECHNIQUES:
1. LIMIT THE EXTENT OF EXPOSED SOILS AT ANY GIVEN TIME.
  2. REVEGETATE EXPOSED AREAS AND SLOPES AS SOON AS POSSIBLE.
  3. MAINTAIN AREA TO BE CLEARED AND GRADED.
  4. PROTECT EXPOSED SLOPES WITH PLASTIC OR SYNTHETIC MULCHES.
  5. INSTALL SILT CURBS BETWEEN TRAILS AND COVER ON ALL PROPOSED CATCH BASINS AND CATCH BASIN HANNOLES AND ON ALL EXISTING CATCH BASINS THAT WILL RECEIVE RUNOFF FROM THE SITE.
  6. A SILT FENCE SHALL BE INSTALLED AROUND THE PERIMETER OF ALL AND ANY STOCKPILES OF MATERIAL TO BE USED OR REMOVED FROM SITE (LOCATION TO BE DETERMINED).
  7. A VISUAL INSPECTION SHALL BE DONE DAILY ON SEDIMENT CONTROL MEASURES AND CLEARED OF ANY ACCUMULATED DETRITUS AS REQUIRED. THE EMPLOYER SHALL BE ADVISED OF SITE AS FOR THE REQUIREMENTS OF THIS CONTRACT.
  8. SEDIMENT CONTROL BARRIERS MAY ONLY BE REMOVED TEMPORARILY WITH APPROVAL OF CONTRACT ADMINISTRATOR TO ACCOMMODATE CONSTRUCTION OPERATIONS. ALL EXISTING BARRIERS MUST BE REINSTALLED AS REQUIRED WITHIN CONSTRUCTION SCHEDULE. NO REMOVAL WILL OCCUR IF THERE IS A SIGNIFICANT RAINFALL EVENT ANTICIPATED (30mm) UNLESS A NEW DEVICE HAS BEEN INSTALLED TO PROTECT THE EXISTING SOILS AND EXISTING EROSION SYSTEMS.
  9. NO REVERSE ENGINEERING OR CLEANING OF EQUIPMENT IS PERMITTED NEAR ANY EXISTING WATERWAY.
  10. SEDIMENT CONTROL MEASURES SHALL BE REMOVED WHEN, IN THE OPINION OF THE CONTRACT ADMINISTRATOR, THE MEASURES IS NO LONGER REQUIRED. NO CONTROL MEASURES SHALL BE PERMANENTLY REMOVED WITHOUT PRIOR WRITTEN AUTHORIZATION FROM THE CONTRACT ADMINISTRATOR.
  11. THE CONTRACTOR SHALL PERIODICALLY, OR WHEN REQUESTED BY THE CONTRACT ADMINISTRATOR, CLEAN UP ACCUMULATED SEDIMENTS AS REQUIRED.
  12. THE CONTRACTOR SHALL IMMEDIATELY REPORT TO THE ENGINEER ANY ACCIDENTAL DISCHARGES OF SEDIMENT MATERIAL INTO THE WATERCOURSE. APPROPRIATE RESPONSE MEASURES, INCLUDING ANY REPAIRS TO EXISTING CONTROL MEASURES OR THE IMPLEMENTATION OF ADDITIONAL CONTROL MEASURES SHALL BE CARRIED OUT BY THE CONTRACTOR WITHOUT DELAY.

1	ISSUED FOR DRAFT PLAN APPROVAL	DT	DT	17.06.16
Revision		By	Appd.	YY.MM.DD

File Name:	160410140-DB	DT	AMP	DT	17.05.17
		Drawn	Chkd.	Design	YY.MM.DD

Permit/Seal

Client/Project  
MINTO GROUP INC.

MAHOGANY SUBDIVISION  
PHASES 2-4  
OTTAWA, ON

Title  
CONCEPTUAL  
GRADING  
PLAN

Project No.	160410140	Scale	0 20 40 100m 1:2000
Drawing No.	Sheet	Revision	