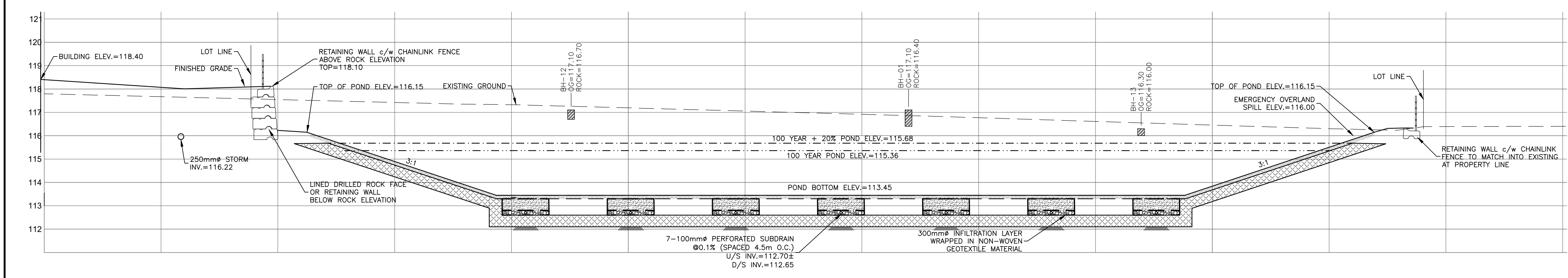
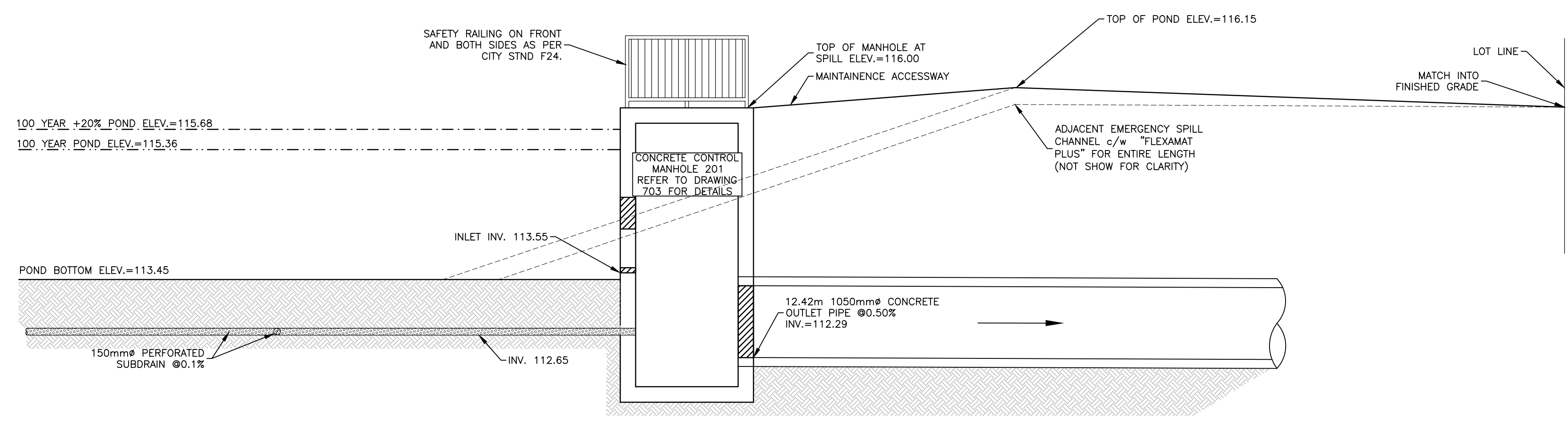


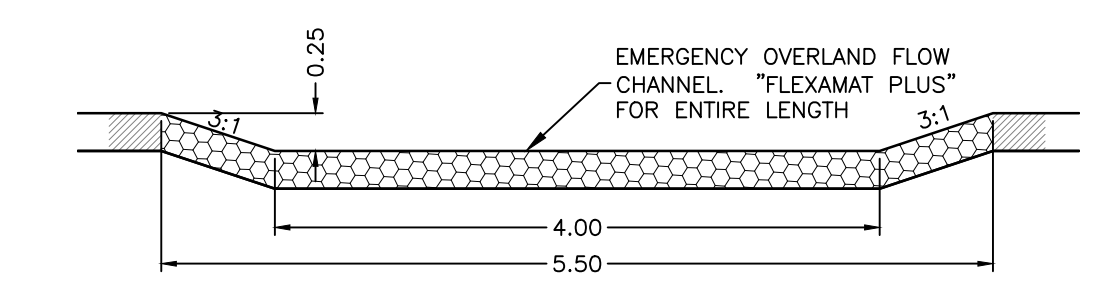
A POND SECTION A-A
 SCALE: 1:100
 HORIZONTAL SCALE: 1:100



B POND SECTION B-B
 SCALE: 1:100
 HORIZONTAL SCALE: 1:100



C EMERGENCY SPILLWAY SECTION
 SCALE: 1:50
 HORIZONTAL SCALE: 1:50



D EMERGENCY SPILLWAY SECTION
 SCALE: 1:50
 HORIZONTAL SCALE: 1:50

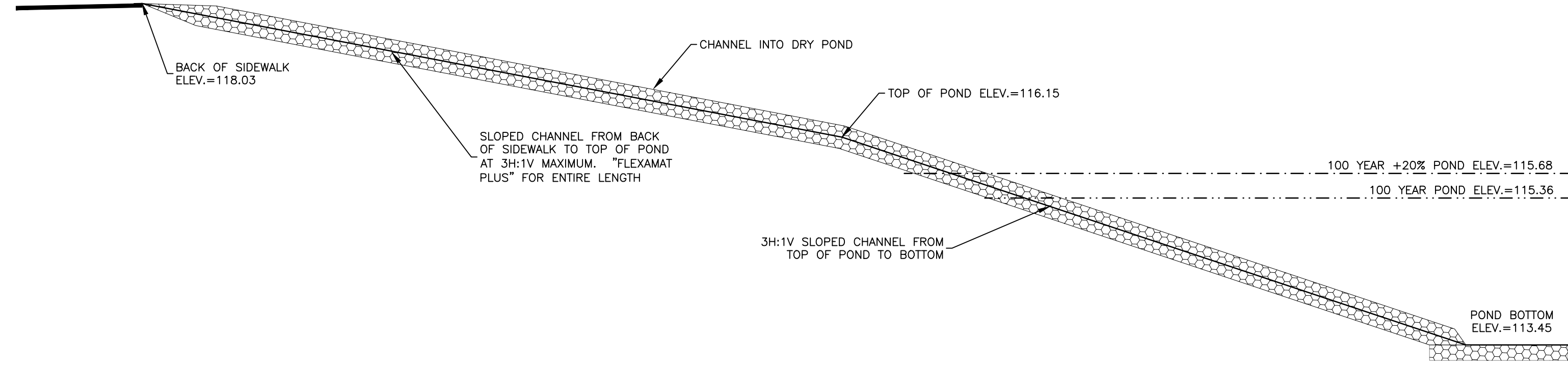
CAUTION
 THE POSITION OF ALL POLE LINES, CONDUITS, WATERMAINS, SEWERS AND OTHER UNDERGROUND UTILITIES AND STRUCTURES IS NOT NECESSARILY SHOWN ON THE CONTRACT DRAWINGS, AND WHERE SHOWN, THE ACCURACY OF THE POSITION OF SUCH UTILITIES AND STRUCTURES IS NOT GUARANTEED. BEFORE STARTING WORK, DETERMINE THE EXACT LOCATION OF ALL SUCH UTILITIES AND STRUCTURES AND ASSUME ALL LIABILITY FOR DAMAGE TO THEM.

JOB BENCH MARK
 TOP OF HEAD OF MAGNETIC NAIL SET IN SIDE OF CONCRETE SIGN
 BASE 0.2± ABOVE GRADE ELEVATION=120.77
 NORTHING=5014575.29 EASTING=349007.23

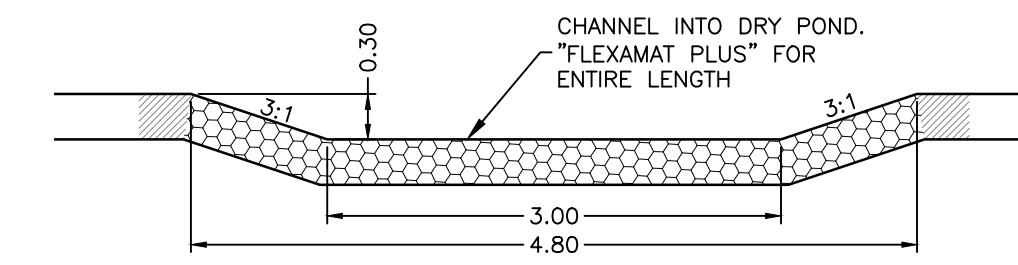
TOPOGRAPHIC INFORMATION
 PART OF LOT 12, CONCESSION 12, GEOGRAPHIC TOWNSHIP OF GOULBOURN, CITY OF OTTAWA.
 TOPOGRAPHIC INFORMATION PROVIDED BY FAIRHALL MOFFATT & WOODLAND LIMITED O.L.S (TP3882) SURVEY DATED JANUARY 14, 2020.
 SITE GRID SYSTEM NTM NAD 83, ZONE 9.

REV	REVISION DESCRIPTION	DATE	BY	APPD	REV	REVISION DESCRIPTION	DATE	BY	APPD
					2	REVISED AS PER CITY COMMENTS	14/10/22	AC	BMT
					1	ISSUED FOR APPROVAL	12/05/22	SAB	BMT

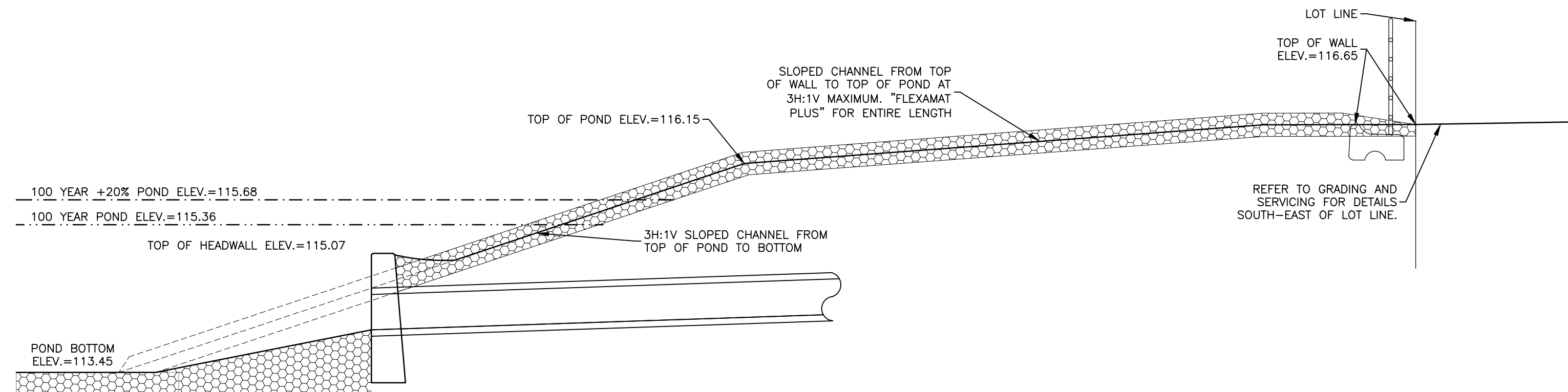
<p>exp Services Inc. 1-877-368-1888 +1-613-225-7330 3025 Cochrane Drive, Unit 100 Ottawa, ON K2B 8R6 Canada www.exp.com</p>	DESIGNED BY JLF	PROJECT LATITUDE HOMES 1202 CARP ROAD STITTSVILLE, ON. K2S 1B9	PROJECT NO. 258780
	CHECKED BY BMT	TITLE HAZELDEAN HORIZONS 6171 HAZELDEAN ROAD OTTAWA, ONTARIO.	SURVEY 238800-FHW
	CAD SK		DATE 24/07/20
	PROJECT MANAGER JLF	APPROVED BY BMT	
• BUILDINGS • EARTH & ENVIRONMENT • ENERGY • • INDUSTRIAL • INFRASTRUCTURE • SUSTAINABILITY •			



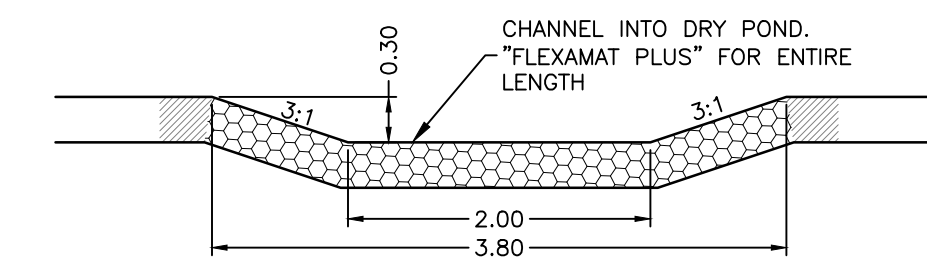
E INLET CHANNEL SECTION
 C703 SCALE: 1:50
 HORIZONTAL 1:50



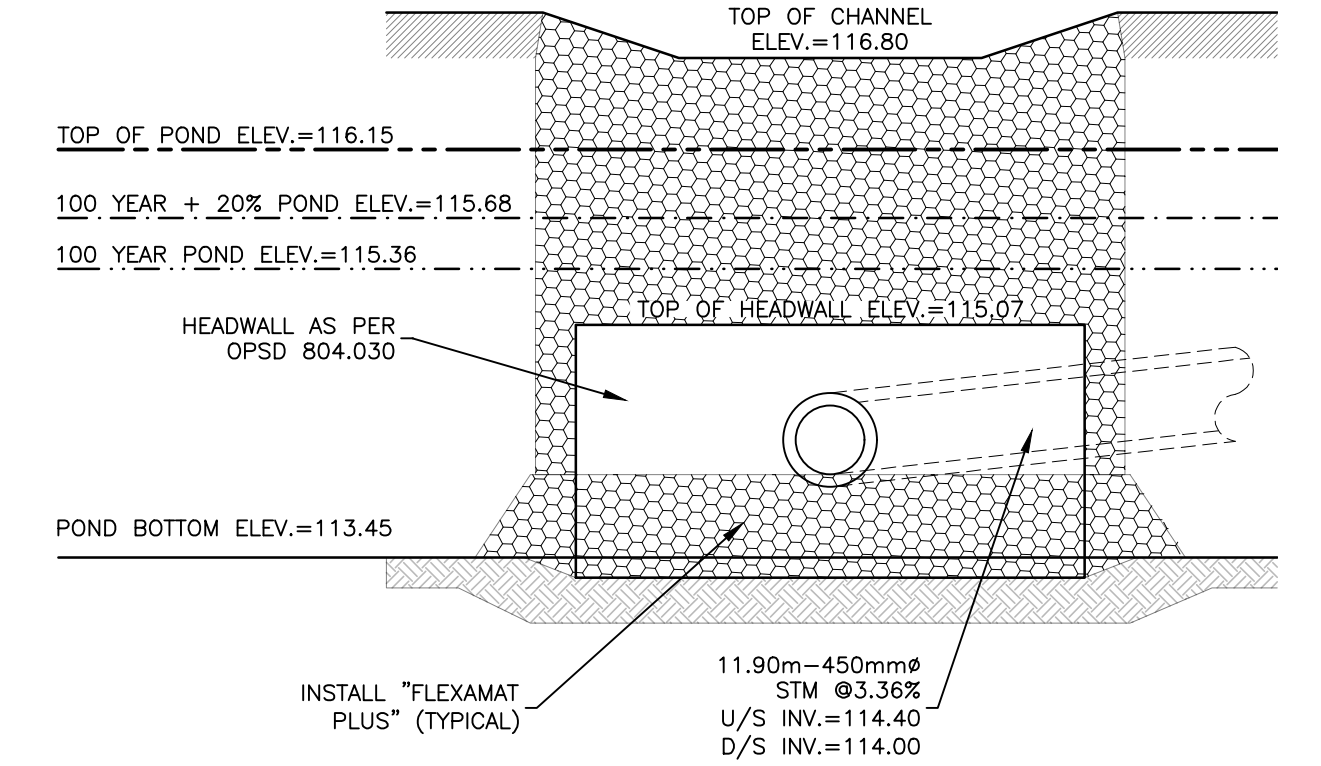
F INLET CHANNEL SECTION
 C703 SCALE: 1:50
 HORIZONTAL 1:50



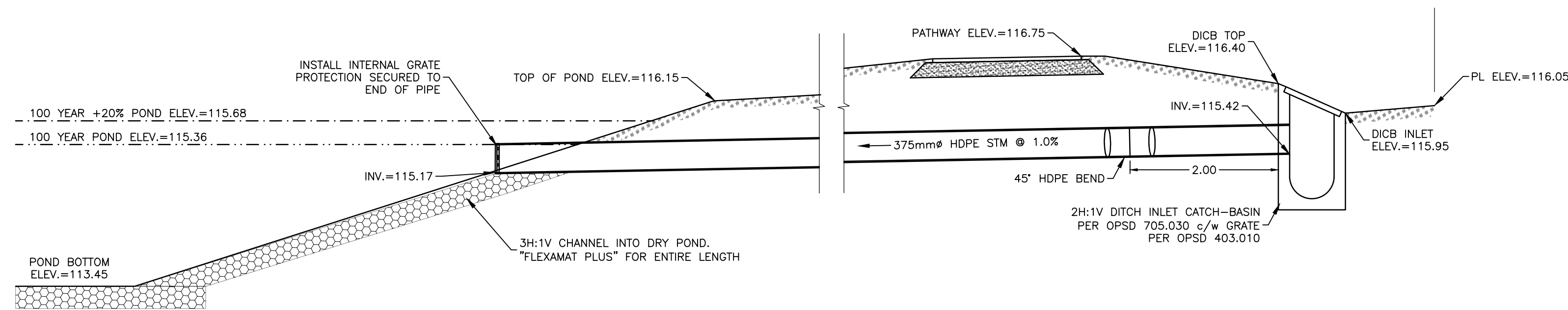
G INLET CHANNEL SECTION
 C703 SCALE: 1:50
 HORIZONTAL 1:50



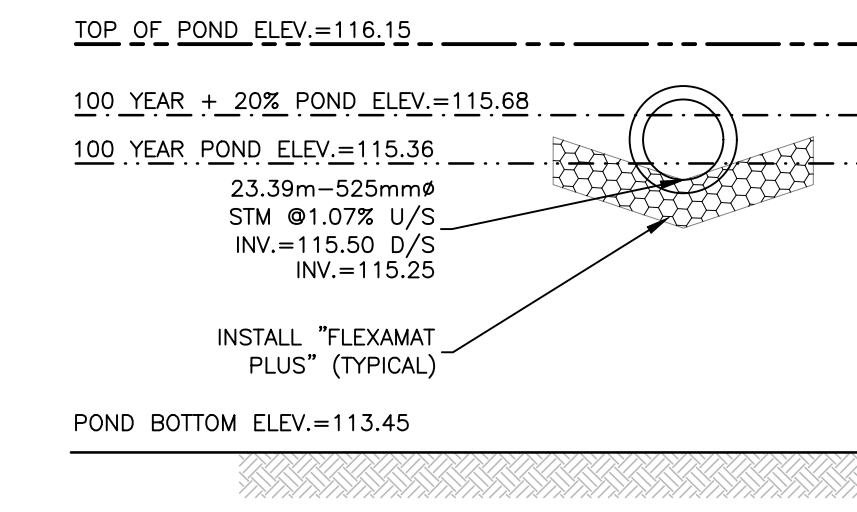
H INLET CHANNEL SECTION
 C703 SCALE: 1:50
 HORIZONTAL 1:50



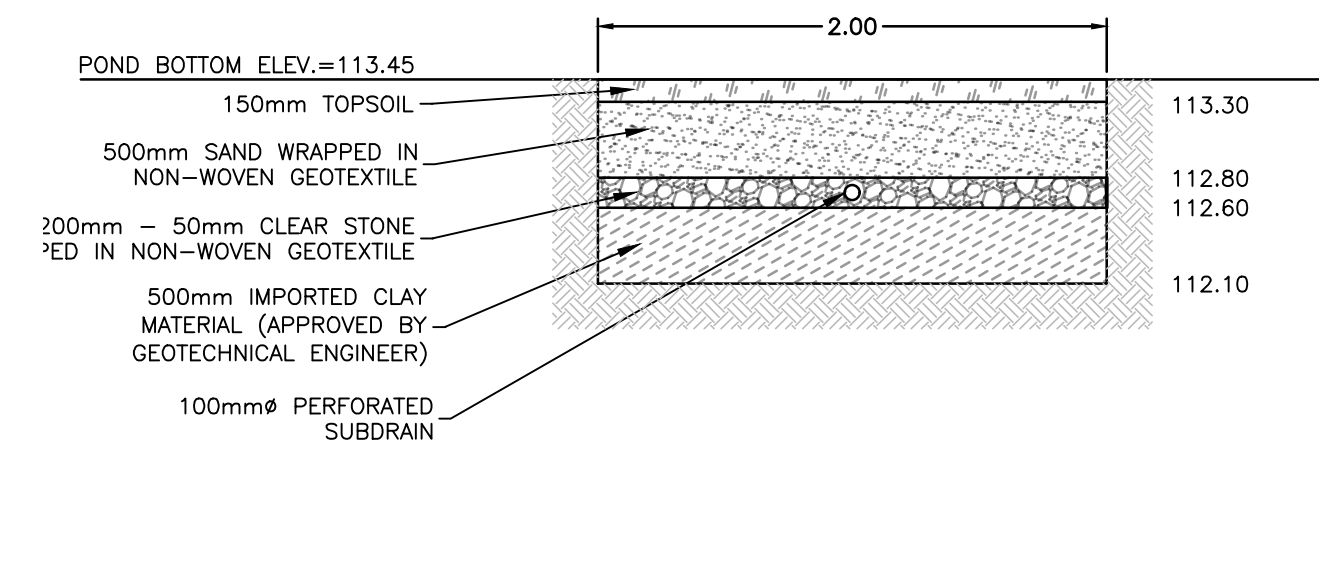
I HEADWALL SECTION
 C703 SCALE: 1:50
 HORIZONTAL 1:50



J INLET CULVERT SECTION
 C703 SCALE: 1:50
 HORIZONTAL 1:50



K INLET CULVERT SECTION
 C703 SCALE: 1:50
 HORIZONTAL 1:50



L SAND FILTER TYPICAL CROSS-SECTION
 C703 SCALE: 1:50
 HORIZONTAL 1:50

Project: V:\proj\2024\2024-07-24\2024-07-24_Stormwater Management Facility details.dwg
 User: jlm
 Date: 2024-07-24 11:55:50
 Plotter: HP DesignJet 500
 Plot Style: C703.ctb
 Scale: 1:50
 Orientation: Landscape
 Plot Range: Extents
 Lineweight: Default
 Color: By Layer
 Background: None
 Plot Device: HP DesignJet 500
 Plot File: \\server\plots\2024\2024-07-24_Stormwater Management Facility details.dwg

CAUTION
 THE POSITION OF ALL POLE LINES, CONDUITS, WATERMANS, SEWERS AND OTHER UNDERGROUND AND OVERGROUND UTILITIES AND STRUCTURES IS NOT NECESSARILY SHOWN ON THE CONTRACT DRAWINGS, AND WHERE SHOWN, THE ACCURACY OF THE POSITION OF SUCH UTILITIES AND STRUCTURES IS NOT GUARANTEED. BEFORE STARTING WORK, DETERMINE THE EXACT LOCATION OF ALL SUCH UTILITIES AND STRUCTURES AND ASSUME ALL LIABILITY FOR DAMAGE TO THEM.

JOB BENCH MARK JBM ▲
 TOP OF HEAD OF MAGNETIC NAIL SET IN SIDE OF CONCRETE SIGN
 BASE 0.2± ABOVE GRADE ELEVATION=120.77
 NORTHING=5014575.29 EASTING=349007.23

TOPOGRAPHIC INFORMATION
 PART OF LOT 12, CONCESSION 12, GEOGRAPHIC TOWNSHIP OF GOULBOURN, CITY OF OTTAWA.
 TOPOGRAPHIC INFORMATION PROVIDED BY FAIRHALL MOFFATT & WOODLAND LIMITED O.L.S (TP3882) SURVEY DATED JANUARY 14, 2020.
 SITE GRID SYSTEM NTD NAD 83, ZONE 9.

REV	REVISION DESCRIPTION	DATE	BY	APPD
2	REVISED AS PER CITY COMMENTS	14/10/22	AC	BMT
1	ISSUED FOR APPROVAL	12/05/22	SAB	BMT

SCALE	DESIGNED BY	REVIEWED BY	DATE
1:50			

LATITUDE HOMES
 1202 CARP ROAD
 STITTSVILLE, ON. K2S 1B9

exp.
 exp Services Inc.
 1-877-888-1889 | T: +1-613-225-7330
 3025 Casselman Drive, Unit 100
 Ottawa, ON K2B 8H6
 Canada
 www.exp.com

• BUILDINGS • EARTH & ENVIRONMENT • ENERGY •
 • INDUSTRIAL • INFRASTRUCTURE • SUSTAINABILITY •

BASEPLAN	PROJECT
SK	HAZELDEAN HORIZONS
JLF	6171 HAZELDEAN ROAD
BMT	OTTAWA, ONTARIO.
SK	DETAIL SHEET 6
JLF	STORMWATER MANAGEMENT
BMT	FACILITY DETAILS 2

PROJECT No.	DATE
258780	24/07/20